

# **Trillium 240 Seismometer Insulating Cover**

## About the Trillium 240 Seismometer Insulating Cover

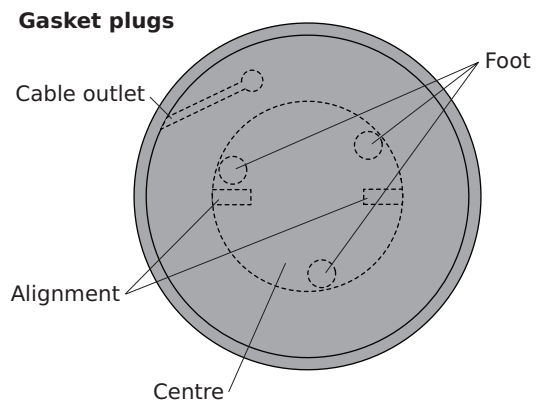
The Trillium 240 Seismometer Insulating Cover (Insulating Cover) is an easily installed system that provides thermal insulation and protection from external air currents for the Trillium 240 Seismometer. The Insulating Cover includes a foam base gasket and a rigid form-fitting cover with form features matched to the Trillium 240. Properly installed, it will attenuate temperature-induced long-period noise by up to 40dB. A sensor cable with a right-angle connector is required when using the Insulating Cover.

### Standard versus modified installations

The gasket has pre-cut plugs that can be used either in a standard arrangement, or in modified installation arrangements if necessary.

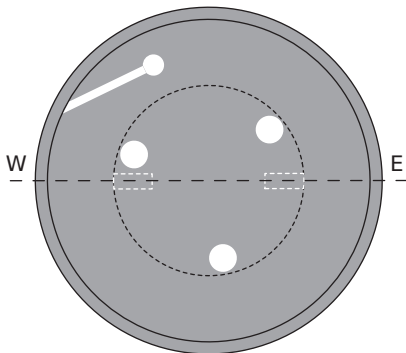
A standard installation retains the original position of the cable outlet. This ensures the maximum length of sensor cable, about 1 m, is enclosed in the Insulating Cover. This helps attenuate temperature variations conducted by the cable.

If your installation requires a different exit point for the sensor cable, you can separate the centre plug from the outer main gasket. You can then rotate the outer gasket to move the cable outlet as required. A modified installation provides less insulation for the sensor cable.

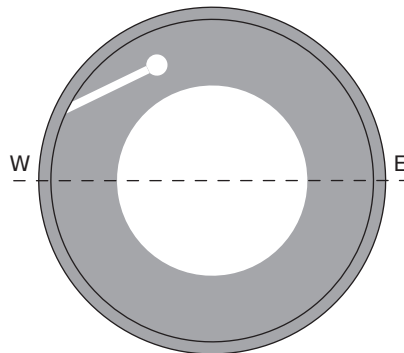


**Installation option examples** showing gasket orientation and the removed gasket plugs

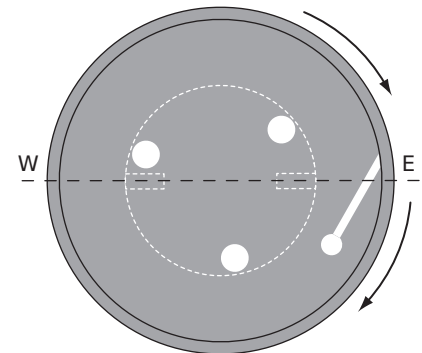
**(A)** Standard (for a sensor with levelling feet)



**(B)** Standard (for a sensor with the levelling feet removed)



**(C)** Modified to move the cable outlet (for a sensor with levelling feet)



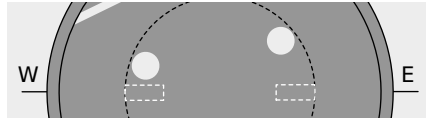
## Installing the Insulating Cover

1. Remove the pre-cut gasket plugs as required for your installation (see the examples above).
  - ▶ Keep the alignment plugs for standard installations as in example (A).
  - ▶ Keep the centre plug and the alignment plugs for modified installations like example (C).
2. Place the gasket on the pier with the gasket alignment holes roughly centred over the East-West sensor alignment line.

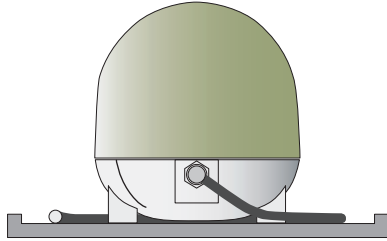


3. Place the Trillium 240 in the gasket on the pier and then align the sensor (see the Trillium 240 User Guide for sensor alignment recommendations).

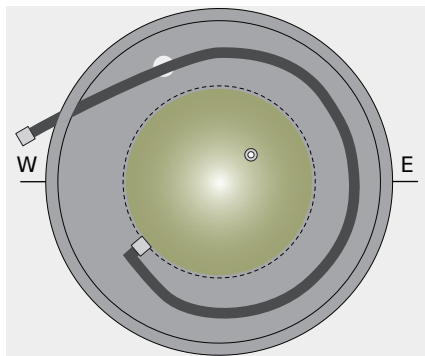
- For installations similar to examples (A) and (C), put the rectangular alignment plugs back into the gasket holes.



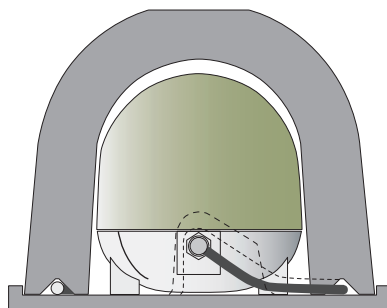
- Connect the sensor cable to the Trillium 240. Angle the connector downwards about  $30^\circ$  to accommodate the cover.



- Pull the cable end out through the cable outlet.
- Place the sensor cable on the gasket so the cable will align to the V-groove in the bottom edge of the cover: Arrange the cable so it is approximately centred between the edge of the gasket and the centre plug line.



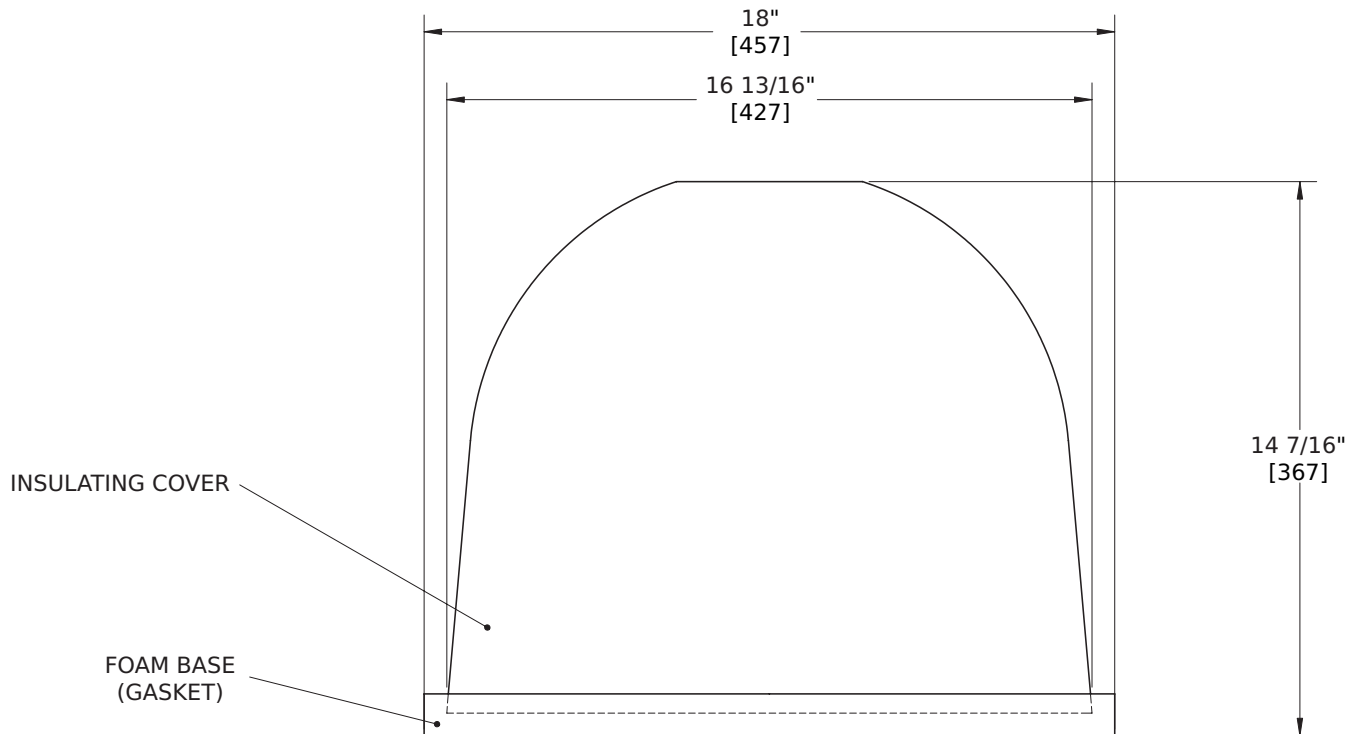
- Look inside the cover to orient the connector groove to the sensor connector. Place the cover over the sensor.



**Caution** It is very important that the cover and gasket not touch the sensor or cable connector. A continuous air gap is required for the Insulating Cover to work properly.

- Position the cover so that it will not be in contact with the connector:
  - Holding the cover just far enough above the gasket so that it doesn't drag, gently rotate the cover either clockwise or counterclockwise until it lightly touches the connector.
  - Rotate the cover in the opposite direction about 1 cm and then place it down on the gasket. The Trillium 240 Seismometer Insulating Cover is now installed.

## Dimensions



TRILLIUM 240 SEISMOMETER INSULATING COVER  
DIMENSIONS IN INCHES [mm]

## Support

If you need technical support, please submit your request via the Nanometrics customer support site, or by email or fax. Include a full explanation of the problem.

Customer support site: <http://support.nanometrics.ca/>

Email: [techsupport@nanometrics.ca](mailto:techsupport@nanometrics.ca)

Fax: To: Support, at +1 613-592-5929