

8

7

6

PRODUCED BY AN AUTODESK EDUCATIONAL PRODUCT

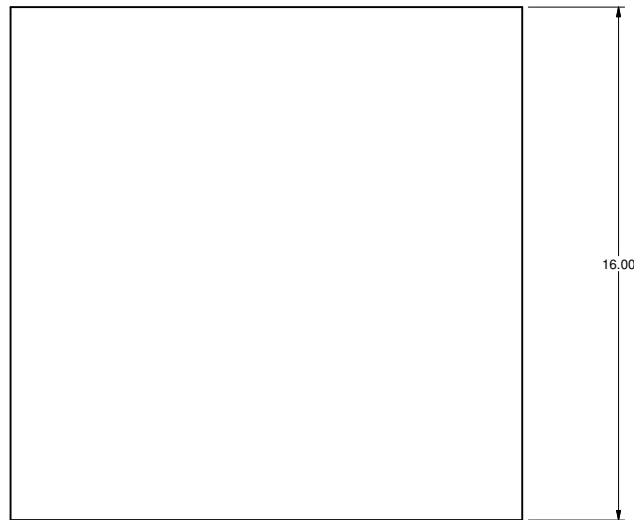
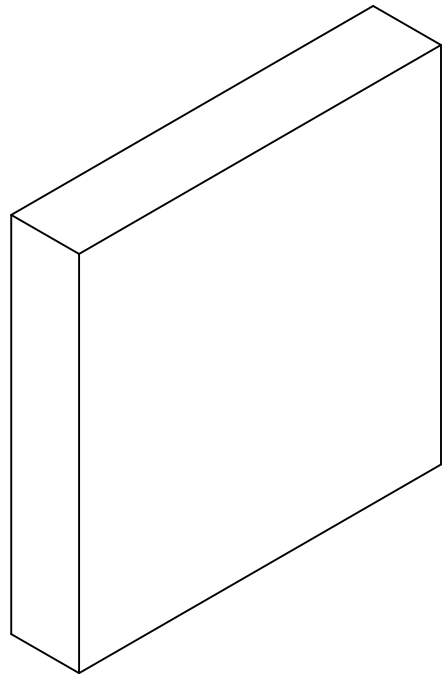
3

2

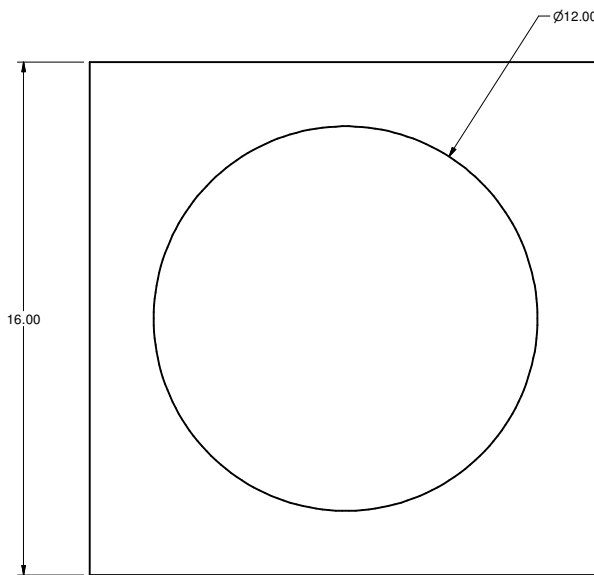
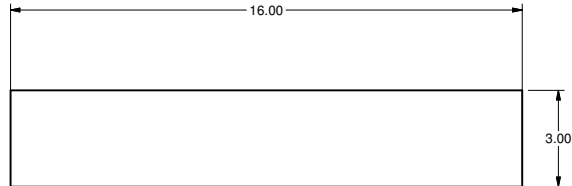
1

NOTES:

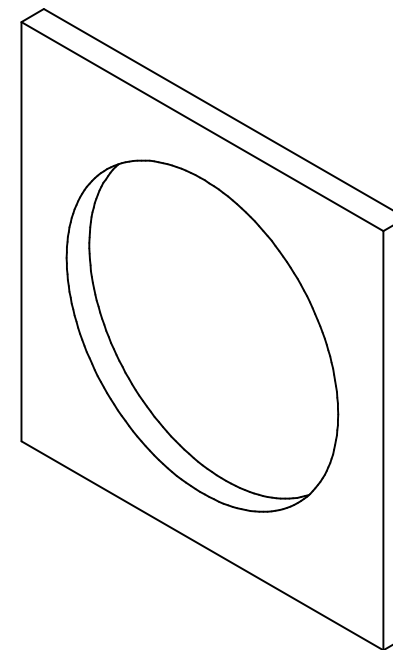
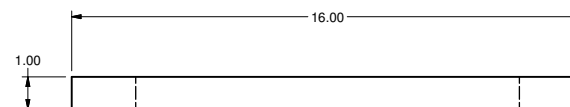
REV	DATE	DRAWN BY	APPRVD BY	DESCRIPTION



FOAM BASE



FOAM BASE with CIRCULAR CUT-OUT



PRODUCED BY AN AUTODESK EDUCATIONAL PRODUCT

PRODUCED BY AN AUTODESK EDUCATIONAL PRODUCT

A

A

INVENTOR : VAULT FLOOR.idw

UNLESS OTHERWISE SPECIFIED DIMENSIONS ARE IN INCHES		POLAR		PASSCAL	
TOLERANCES : ANGLES ± 1°		POLAR PROJECTS		SOCORRO, NM 87801	
4 PLACE DECIMALS (.XXXX) ±		DRAWN BY		DATE	
3 PLACE DECIMALS (.XXX) ±		B. BONNETT		9/6/2007	
2 PLACE DECIMALS (.XX) ±		DESIGNED BY		DATE	
1 PLACE DECIMALS (.X) ±		B. BONNETT		9/6/2007	
MATERIAL:		APPROVED BY		DATE	
FINISH:		DRAWING NUMBER		VAULT FLOOR	
NEXT ASSEMBLY		DWG. TYPE		SHEET NUMBER 2 of 2	
				REV -	
				SCALE 1	

PRODUCED BY AN AUTODESK EDUCATIONAL PRODUCT