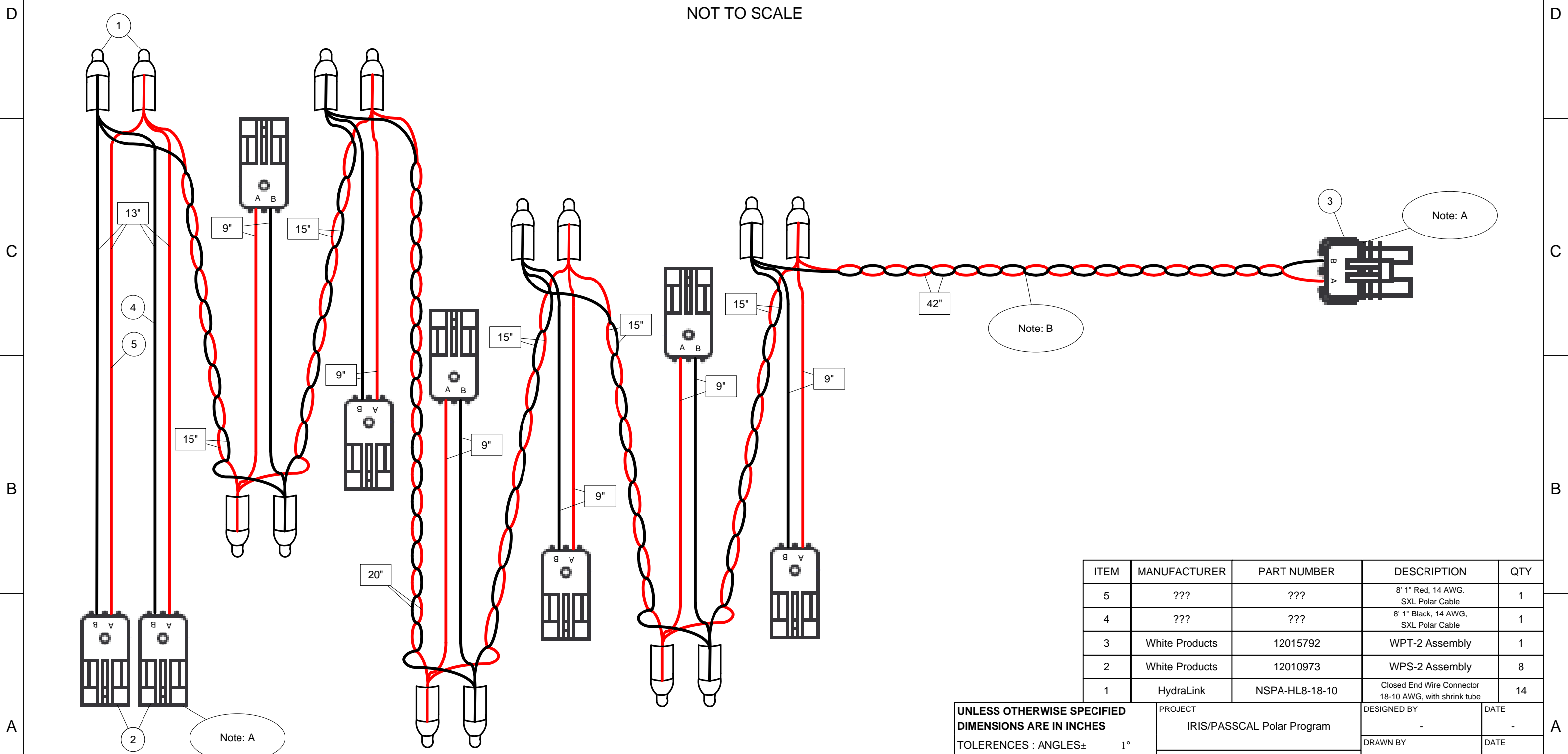


Notes:
 A. Connector is 'WeatherPack 2-pin assembly'
 WPT-2 with WPF-15 female crimp contacts, WPS-GRA cable seals on each wire
 WPS-2 with WPM-15 male crimp contacts, WPS-GRA cable seals on each wire
 B. Twisted pairs have approximately one twist per inch

REV.	DESCRIPTION	DATE	BY
-	-	-	-
-	-	-	-



ITEM	MANUFACTURER	PART NUMBER	DESCRIPTION	QTY
5	???	???	8' 1" Red, 14 AWG, SXL Polar Cable	1
4	???	???	8' 1" Black, 14 AWG, SXL Polar Cable	1
3	White Products	12015792	WPT-2 Assembly	1
2	White Products	12010973	WPS-2 Assembly	8
1	HydraLink	NSPA-HL8-18-10	Closed End Wire Connector 18-10 AWG, with shrink tube	14

UNLESS OTHERWISE SPECIFIED DIMENSIONS ARE IN INCHES TOLERANCES : ANGLES± 1° 4 PLACES DECIMALS (.XXXX)± 3 PLACES DECIMALS (.XXX)± .005 2 PLACES DECIMALS (.XX)± .01 1 PLACE DECIMALS (.X)±			PROJECT		DESIGNED BY	DATE
			IRIS/PASSCAL Polar Program		-	-
TITLE BATTERY HARNESS CONNECTS 8			DRAWN BY		DATE	
			P. BASTIEN		3/23/2009	
SHEET NUMBER 1 OF 1			REVISION		SCALE	
			-		1	
DRAWING NUMBER WA-0005			APPROVED BY		DATE	
			-		-	