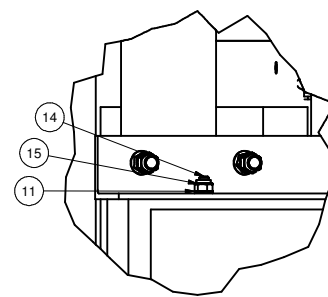
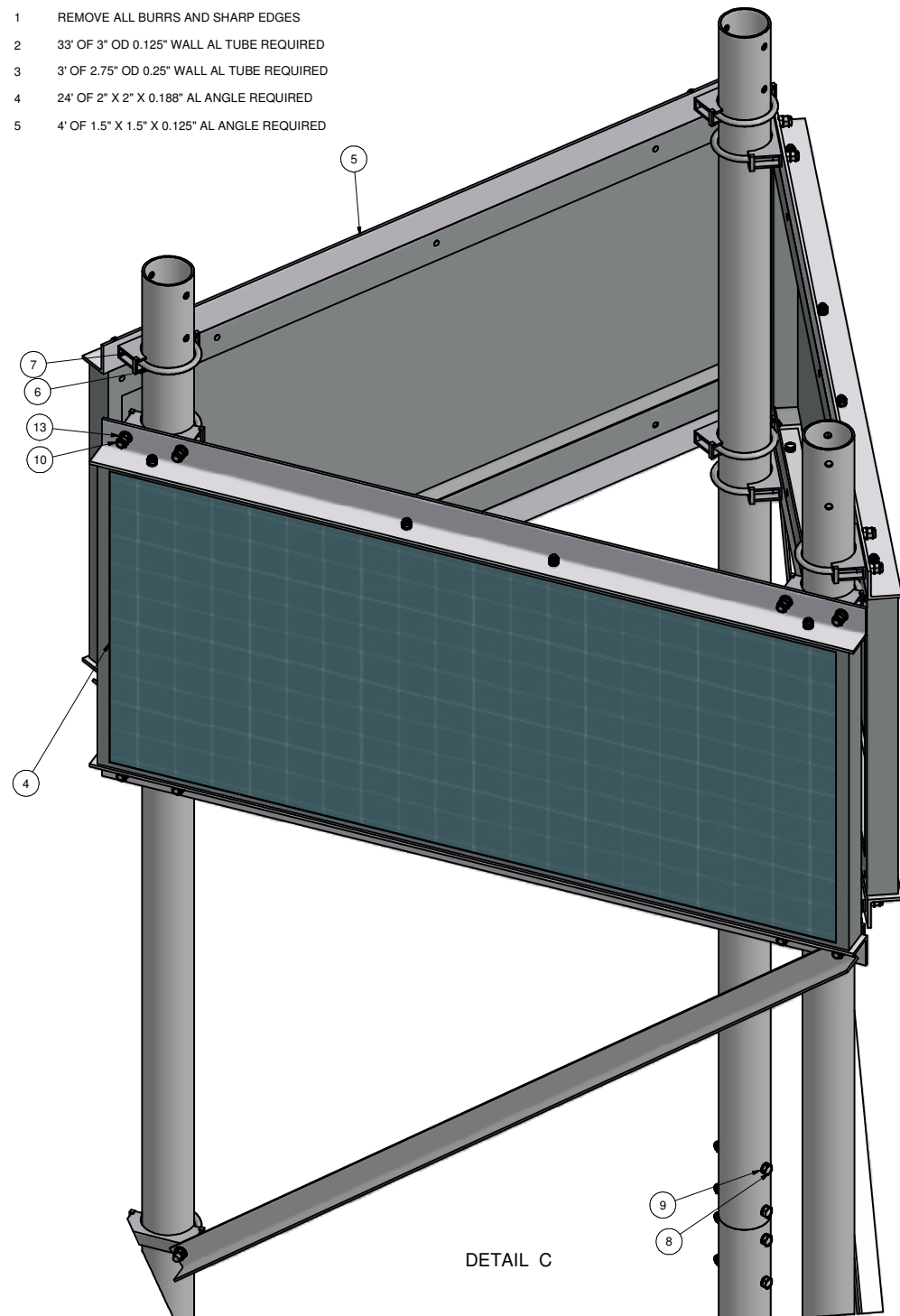
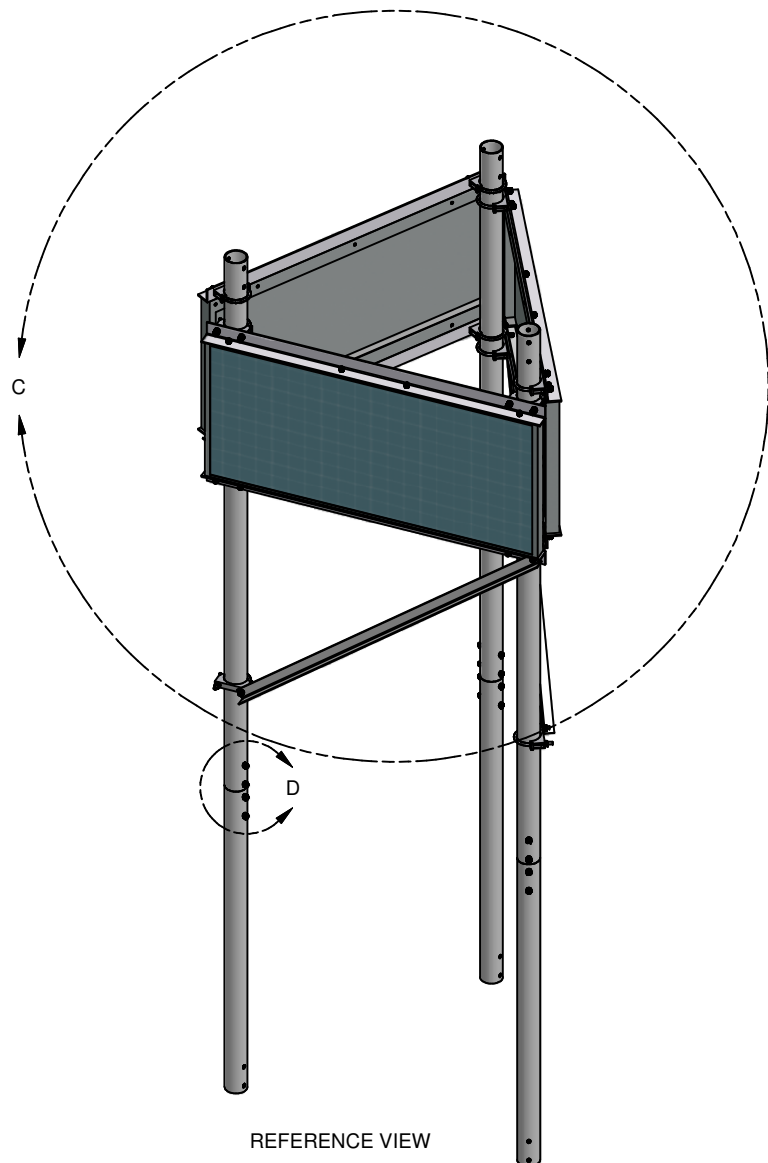


- NOTES:
- 1 REMOVE ALL BURRS AND SHARP EDGES
  - 2 33' OF 3" OD 0.125" WALL AL TUBE REQUIRED
  - 3 3' OF 2.75" OD 0.25" WALL AL TUBE REQUIRED
  - 4 24' OF 2" X 2" X 0.188" AL ANGLE REQUIRED
  - 5 4' OF 1.5" X 1.5" X 0.125" AL ANGLE REQUIRED

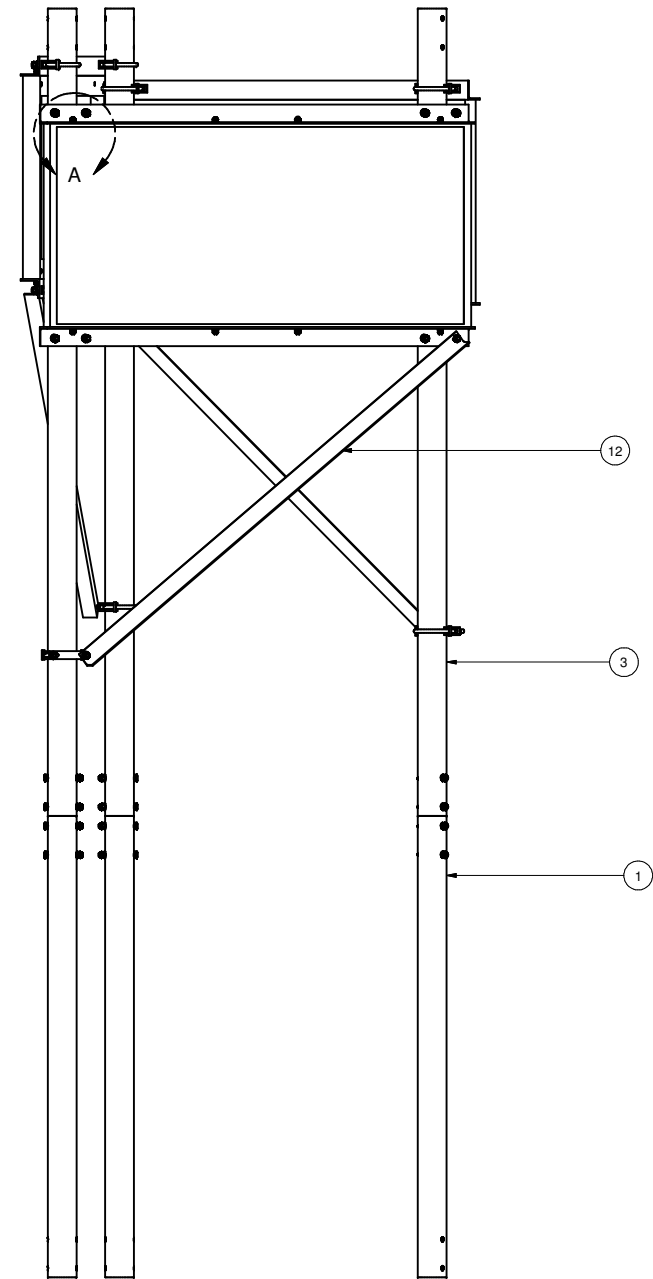
REV	DATE	DRAWN BY	APPR'D BY	DESCRIPTION
A	09/26/07	B. BONNETT	B. BONNETT	ADDED SOLAR PANEL MODIFICATIONS
B	11/14/07	B. BONNETT	B. BONNETT	ADDED CROSS BRACES
C	16/7/08	B. BONNETT	B. BONNETT	CHANGED SNOW FOOTING LENGTH



DETAIL A

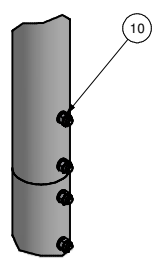


REFERENCE VIEW



TRI-PANEL SNOW MOUNT

DETAIL C



DETAIL D

TRI-PANEL SNOW MOUNT BOM				
ITEM	MANUFACTURER	PART NUMBER	DESCRIPTION	QTY
15	McMASTER	95615A160	5/16-18 Nylock Nut	25
14	BARNHILL BOLT	50-516-114-51	5/16 -18 x 1.25" HEX BOLT	25
13	CLAMPS INC.	3/8-16 FLANGE NUT	LOCKING FLANGE NUT	30
12	PASSCAL	Cross Brace	1.5" X 1.5" .125" AL ANGLE	3
11	BARNHILL BOLT	304-516-A-01	Washer, Fl, 5/16	50
10	McMASTER	95615A140	3/8-16 Nylock Nut	36
9	BARNHILL BOLT	304-38-A-01	Washer, Fl, 3/8	24
8	McMASTER	91247A639	3/8-16 x 3.75" BOLT	12
7	CLAMPS INC.	SD300	3" DIA SADDLE FOR 3/8 U-BOLT	15
6	CLAMPS INC	UD300	3" DIA 3/8-16 U-BOLT	15
5	PASSCAL	Sharp panel mount	2" x 2" x .188" AL ANGLE	6
4	SHARP	Sharp 80W panel	SHARP pn NE-80EJEA	3
3	PASSCAL	7" Panel mount	3" OD 0.125" WALL AL TUBE	3
2	PASSCAL	Upright Connector	2.75" OD 0.25" WALL AL TUBE	3
1	PASSCAL	4' Snow footing	3" OD 0.125" WALL AL TUBE	3

UNLESS OTHERWISE SPECIFIED DIMENSIONS ARE IN INCHES TOLERANCES: ANGLES ± 1° 4 PLACE DECIMALS (.XXXX) ± .0005 3 PLACE DECIMALS (.XXX) ± .001 2 PLACE DECIMALS (.XX) ± .01 1 PLACE DECIMALS (.X) ± .05	POLAR	PASSCAL
	TRI-PANEL MOUNTS (SNOW MOUNT ONLY)	POLAR PROJECTS
INVENTOR: TRI-PANEL MOUNTS (SNOW MOUNT ONLY)	DESIGNED BY: B. BONNETT	DATE: 8/14/2007
	DESIGNED BY: B. BONNETT	DATE: 8/14/2007
	APPROVED BY: B. BONNETT	DATE: 9/17/2007
SHEET NUMBER 1 OF 5	REV C	SCALE 1

INVENTOR:	TRI-PANEL MOUNTS (SNOW MOUNT ONLY)
DESIGNED BY:	
APPROVED BY:	
SHEET NUMBER:	1 OF 5
REV:	C
SCALE:	1
NEXT ASSEMBLY:	DWG. TYPE

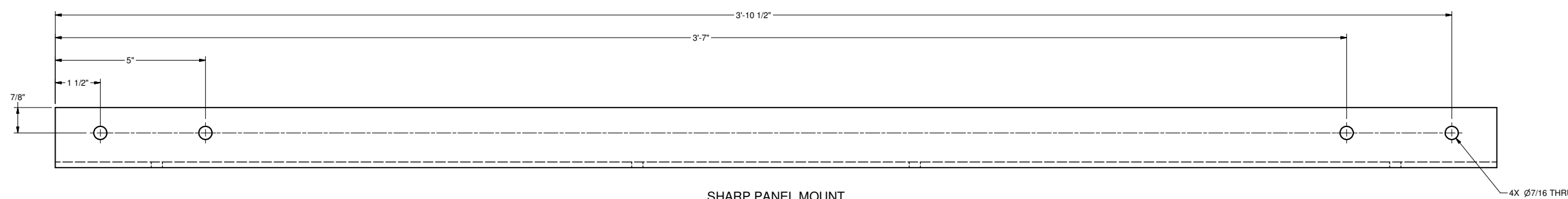
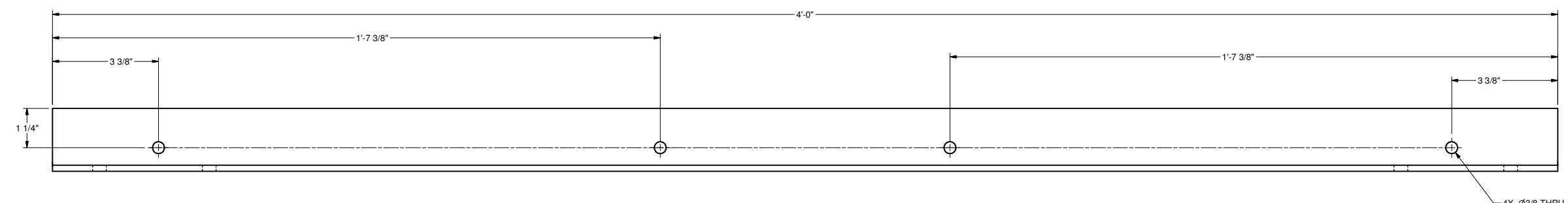
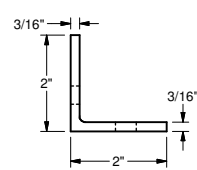
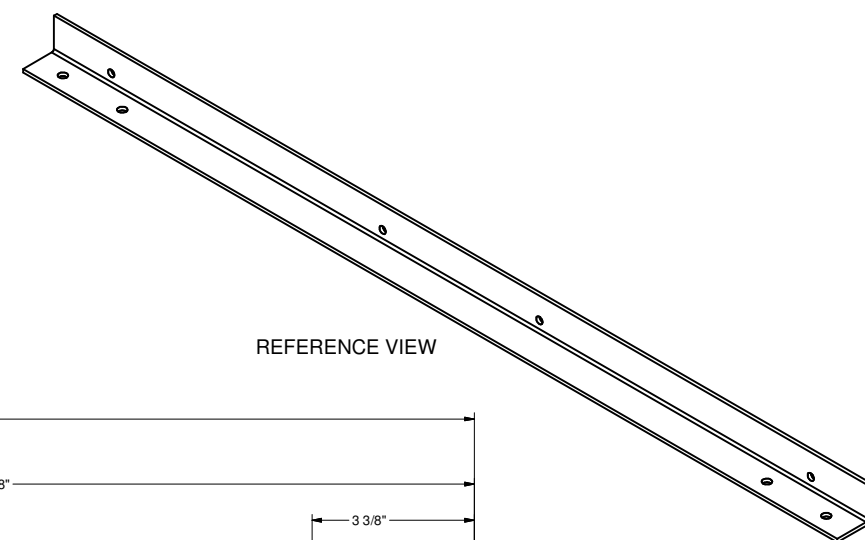
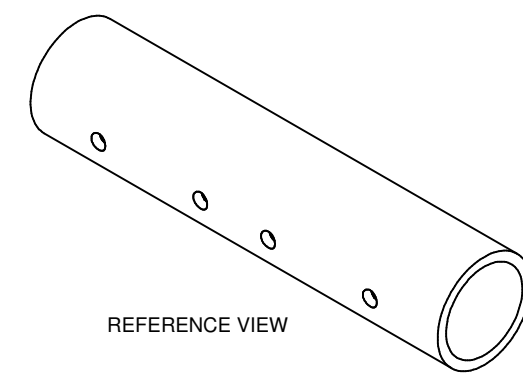
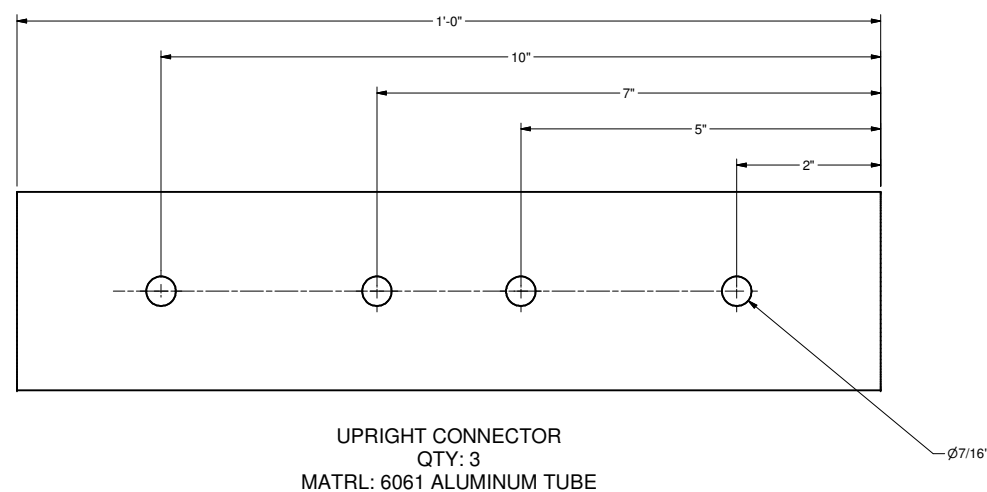
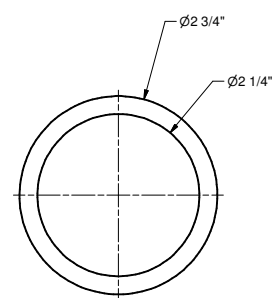
PRODUCED BY AN AUTODESK EDUCATIONAL PRODUCT

PRODUCED BY AN AUTODESK EDUCATIONAL PRODUCT



NOTES:

REV	DATE	DRAWN BY	APPRVD BY	DESCRIPTION



SHARP PANEL MOUNT  
QTY: 4  
MATRL: 6061 ALUMINUM ANGLE

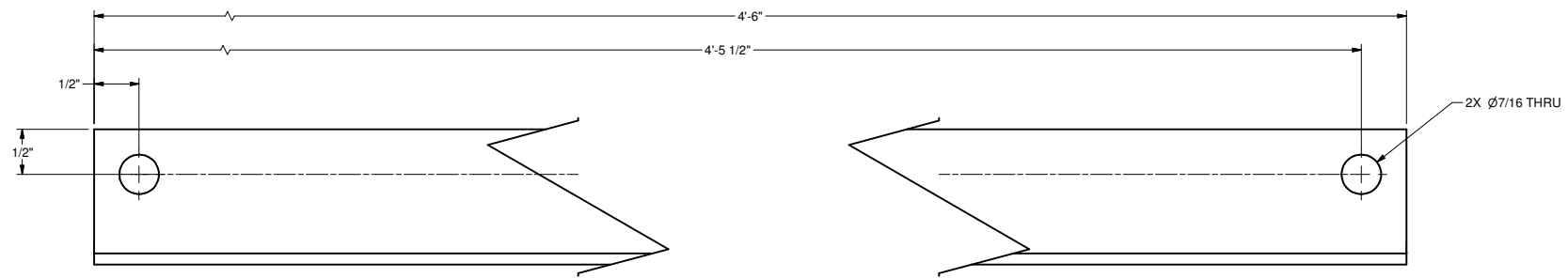
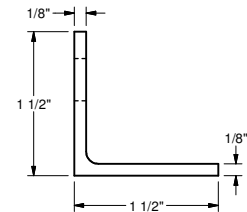
UNLESS OTHERWISE SPECIFIED DIMENSIONS ARE IN INCHES		POLAR		PASSCAL	
TOLERANCES - ANGLES ±	1°			POLAR PROJECTS	
4 PLACE DECIMALS (XXXX) ±				SOCORRO, NM 87801	
3 PLACE DECIMALS (XXX) ±	.005			DESIGNED BY	B. BONNETT
2 PLACE DECIMALS (XX) ±	.01			DATE	8/14/2007
1 PLACE DECIMALS (X) ±				DESIGNED BY	B. BONNETT
				DATE	8/14/2007
				APPROVED BY	B. BONNETT
				DATE	9/17/2007

INVENTOR:	TRI-PANEL MOUNTS (SNOW ONLY) (SN)
MATERIAL:	
FINISH:	
NEXT ASSEMBLY:	DWG. TYPE

SHEET NUMBER	3	OF	5	REV	C	SCALE	1	DRAWING NUMBER	TRI-PANEL MOUNTS (SNOW ONLY)
--------------	---	----	---	-----	---	-------	---	----------------	------------------------------

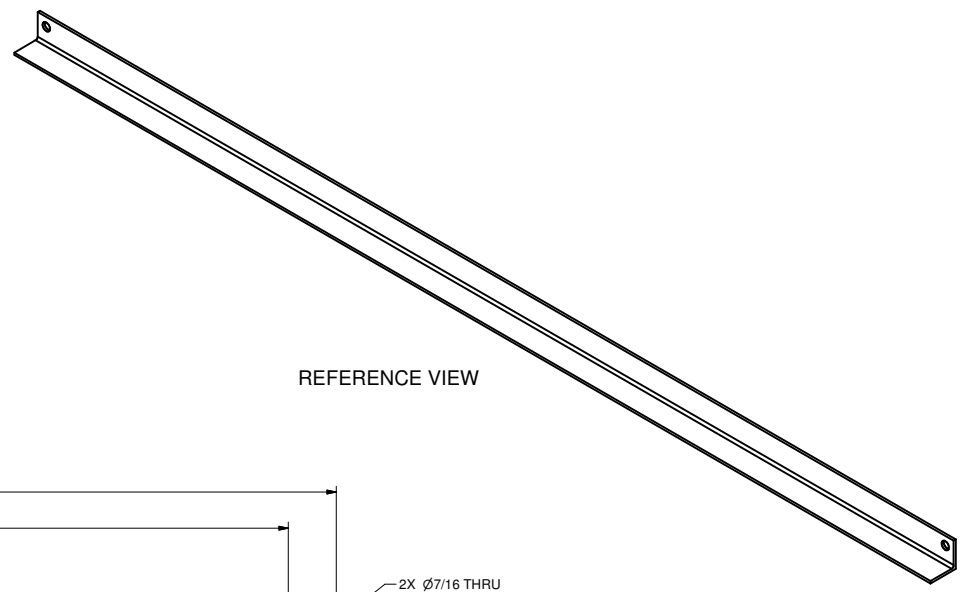
NOTES:

REV	DATE	DRAWN BY	APPRVD BY	DESCRIPTION



CROSS BRACE  
 QTY: 3  
 MATRL: 6061 ALUMINUM ANGLE

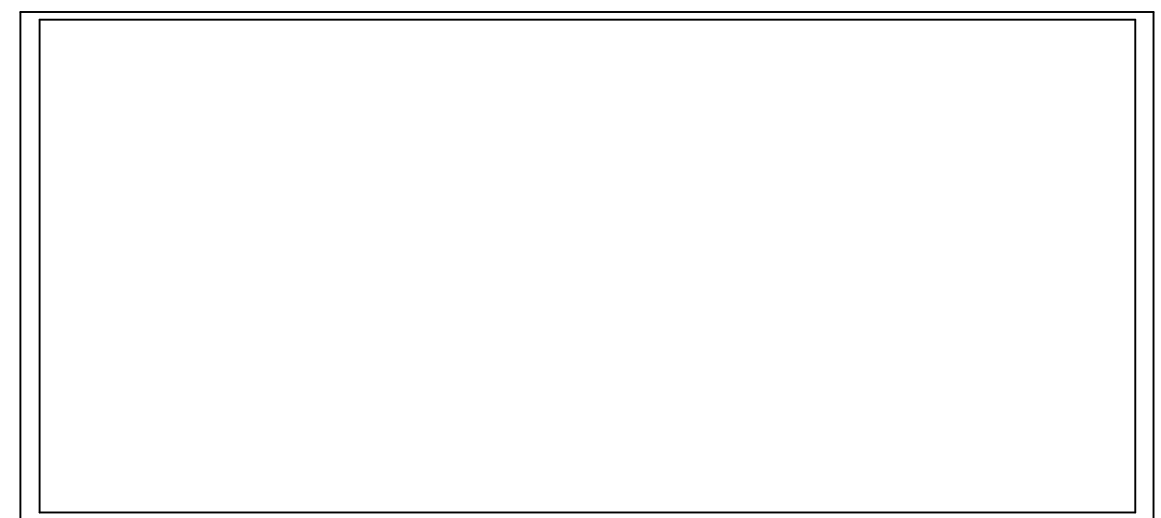
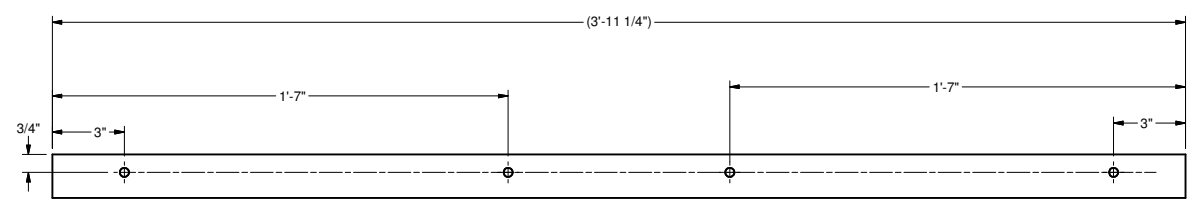
REFERENCE VIEW



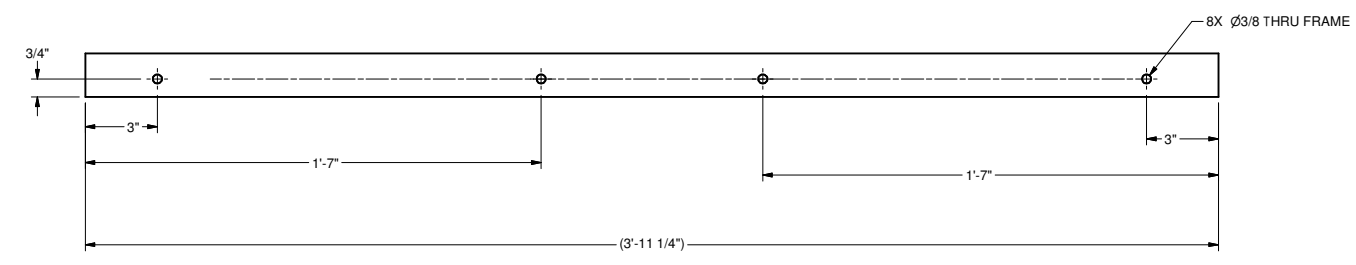
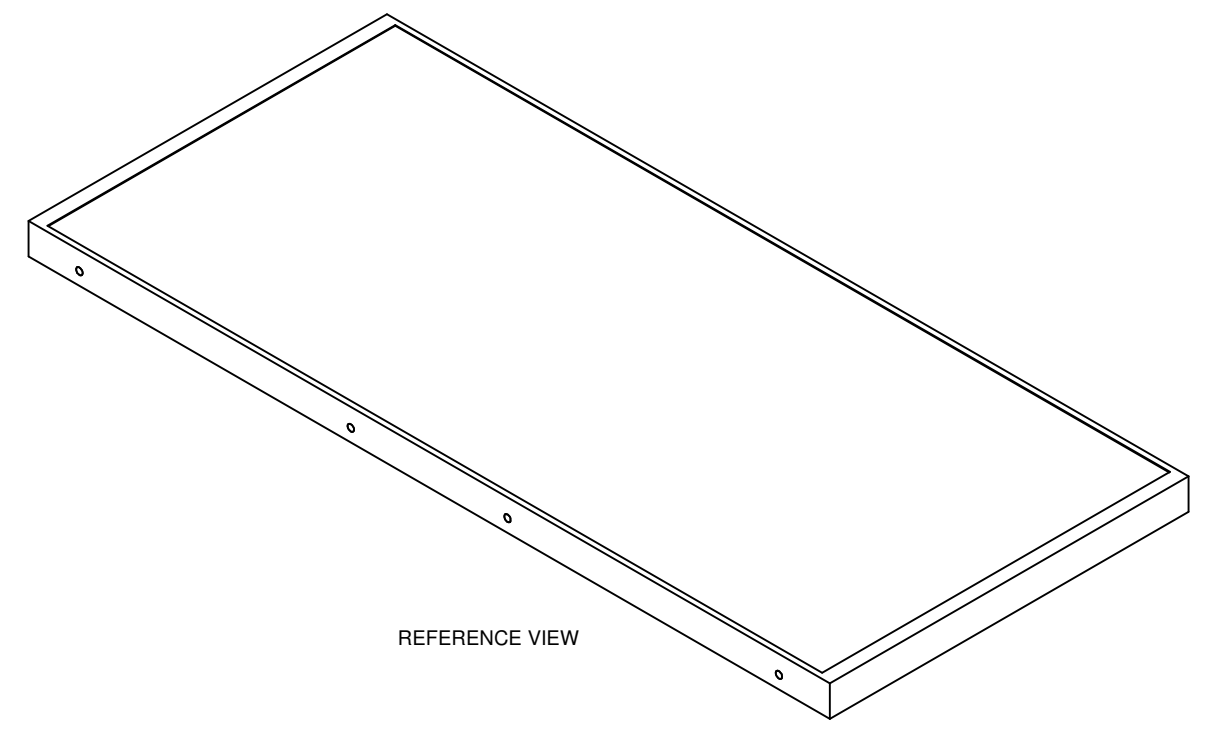
UNLESS OTHERWISE SPECIFIED DIMENSIONS ARE IN INCHES		POLAR		PASSCAL POLAR PROJECTS SOCORRO, NM 87801	
TOLERANCES - ANGLES ± 1°		T R I - P A N E L M O U N T S  (S N O W M O U N T O N L Y)	DRAWN BY B. BONNETT		DATE 8/14/2007
4 PLACE DECIMALS (XXXX) ±			DESIGNED BY B. BONNETT		DATE 8/14/2007
3 PLACE DECIMALS (XXX) ± .005			APPROVED BY B. BONNETT		DATE 9/17/2007
2 PLACE DECIMALS (XX) ± .01			DRAWING NUMBER TRI-PANEL MOUNTS (SNOW ONLY)		DATE
1 PLACE DECIMALS (X) ±		SHEET NUMBER 4 of 5		REV C	SCALE 1
INVENTOR : TRI-PANEL MOUNTS (SNOW ONLY) (S)		NEXT ASSEMBLY		DWG. TYPE	

NOTES:

REV	DATE	DRAWN BY	APPRVD BY	DESCRIPTION



SHARP NE-80EJEA SOLAR PANEL  
 QTY: 3  
 MODIFY AS SHOWN



UNLESS OTHERWISE SPECIFIED DIMENSIONS ARE IN INCHES		POLAR		PASSCAL POLAR PROJECTS SOCORRO, NM 87801	
TOLERANCES - ANGLES ± 1°		TITL E		DRAWN BY B. BONNETT	
4 PLACE DECIMALS (.XXXX) ±		TRI-PANEL MOUNTS (SNOW MOUNT ONLY)		DATE 8/14/2007	
3 PLACE DECIMALS (.XXX) ±		FINISH:		DESIGNED BY B. BONNETT	
2 PLACE DECIMALS (.XX) ±		MATERIAL:		DATE 8/14/2007	
1 PLACE DECIMALS (.X) ±		NEXT ASSEMBLY		APPROVED BY B. BONNETT	
DWG. TYPE		SHEET NUMBER 5 of 5		DATE 9/17/2007	
SCALE 1		REV C		DRAWING NUMBER TRI-PANEL MOUNTS (SNOW ONLY)	