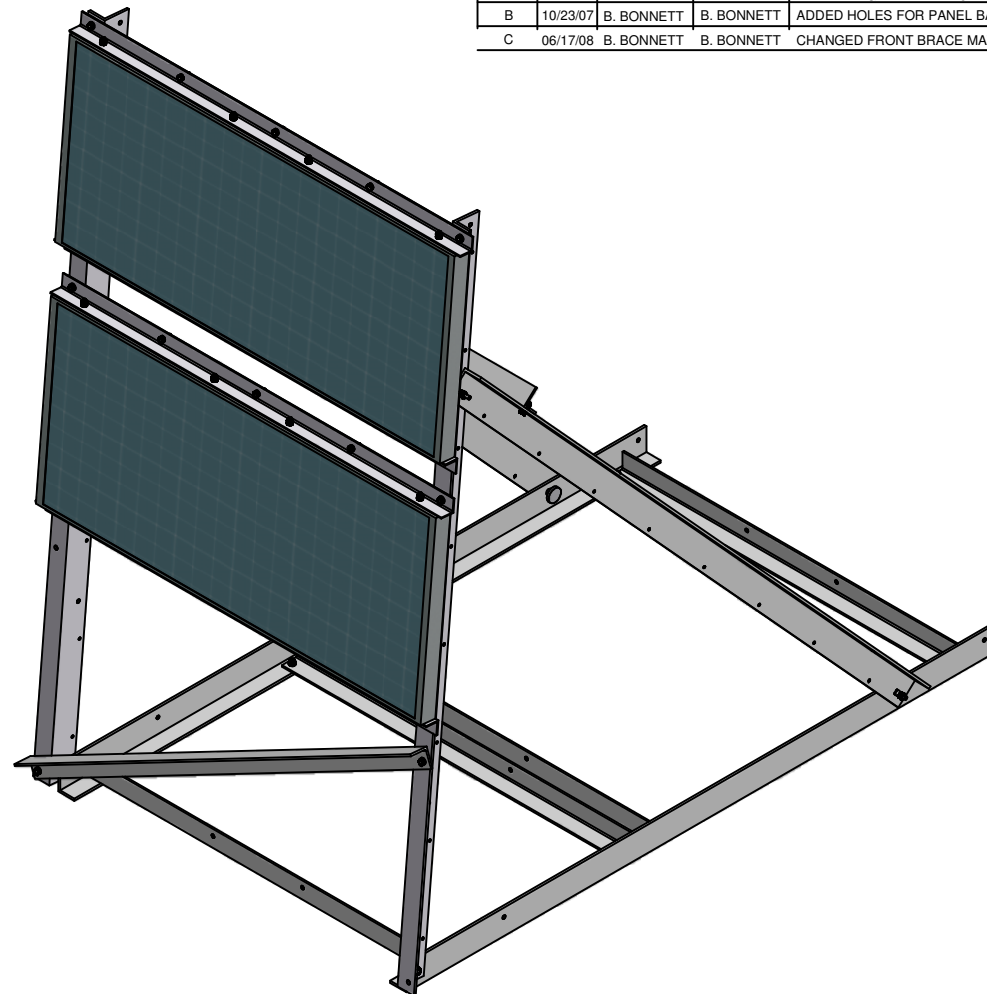
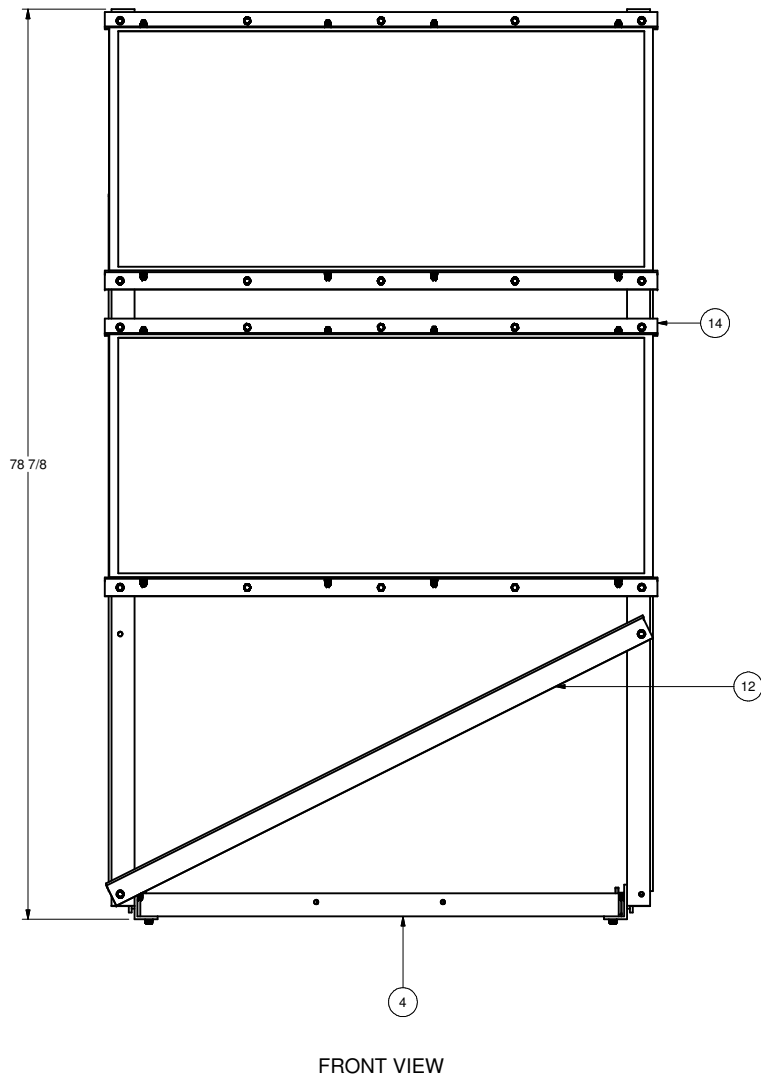
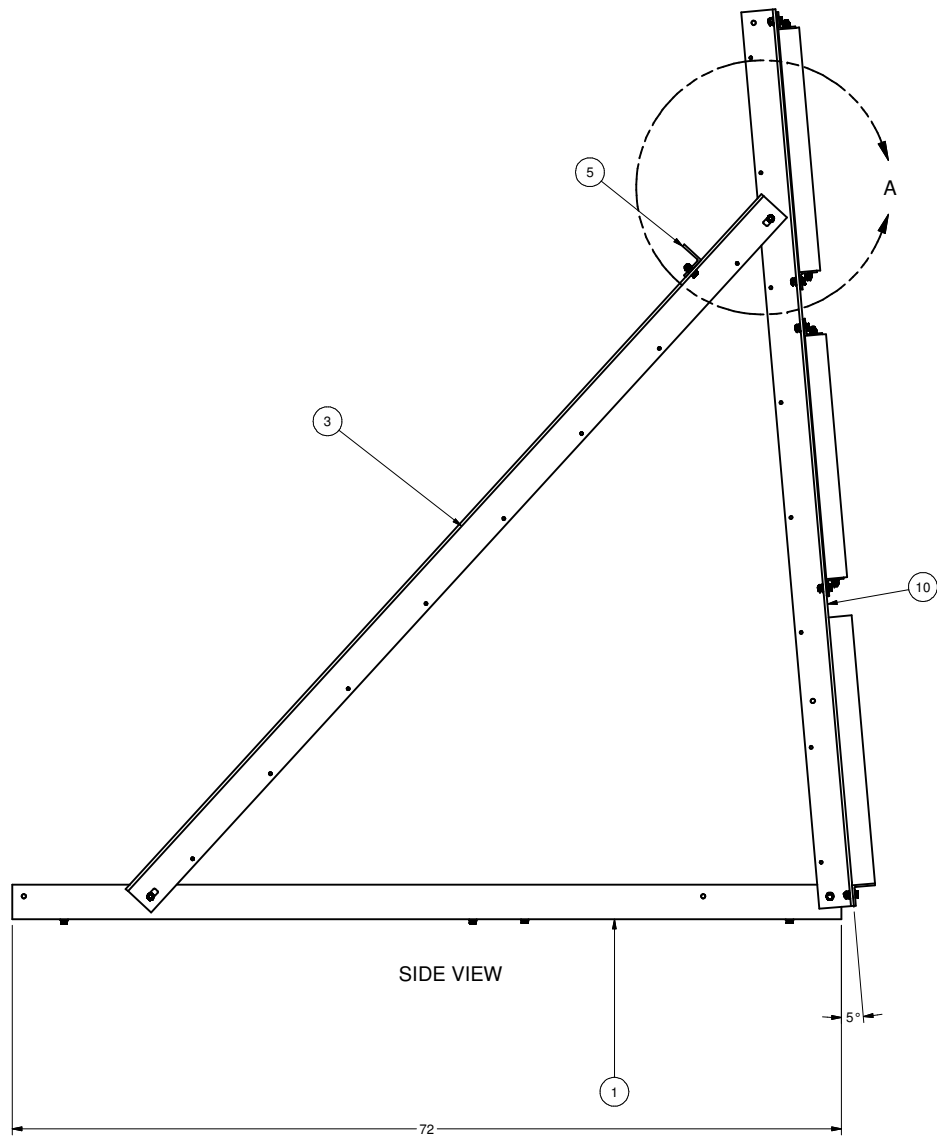
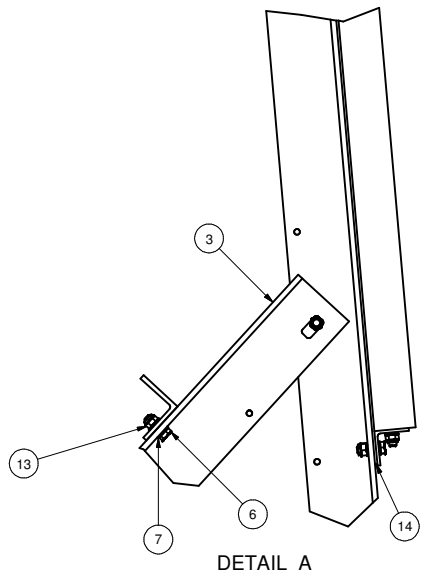


- NOTES:
- 1 REMOVE ALL BURRS AND SHARP EDGES
 - 2 39' OF 3" X 2" X 0.25" AL ANGLE REQUIRED
 - 3 23' OF 2" X 2" X 0.188" AL ANGLE REQUIRED
 - 4 16' OF 1.5" X 1.5" X 0.125" AL ANGLE REQUIRED

REV	DATE	DRAWN BY	APPRVD BY	DESCRIPTION
A	10/01/07	B. BONNETT	B. BONNETT	CHANGED PANEL UPRIGHT DIMS ADDED ANGLE PNL MNT & FR. BRACE
B	10/23/07	B. BONNETT	B. BONNETT	ADDED HOLES FOR PANEL BACKING
C	06/17/08	B. BONNETT	B. BONNETT	CHANGED FRONT BRACE MATRL



ITEM	MANUFACTURER	PART NUMBER	DESCRIPTION	QTY
14	PASSCAL	SOLAR PANEL BACKING	.090" ALUMINUM SHEET	2
13	McMASTER	95615A160	5/16-18 Nylock Nut	56
12	PASSCAL	Front brace	2" x 2" x .188" AL ANGLE	1
14	PASSCAL	Sharp Panel Angle	1.5" X 1.5" X .125" AL ANGLE	4
10	PASSCAL	Panel Upright	3" x 2" x .25" AL ANGLE	2
9	McMASTER	Knob Bolt 5-16x1.5 UNC	MC pn 6079K19	4
8	McMASTER	Weld nut	MC pn 94579A500	4
7	BARNHILL BOLT	304-516-A-01	Washer, Fl, 5/16	104
6	BARNHILL BOLT	50-516-1-51	5/16 -18 x 1" HEX BOLT	52
5	PASSCAL	Back horizontal brace	2" x 2" x .188" AL ANGLE	1
4	PASSCAL	Bottom horizontal brace	2" x 2" x .188" AL ANGLE	4
3	PASSCAL	Rear Support	3" x 2" x .25" AL ANGLE	2
2	SHARP	Sharp 80W panel	SHARP pn NE-80EJEA	2
1	PASSCAL	Base	3" x 2" x .25" AL ANGLE	2

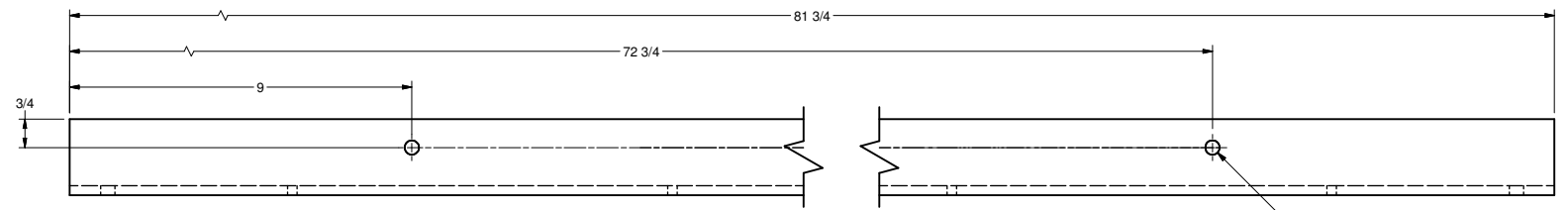
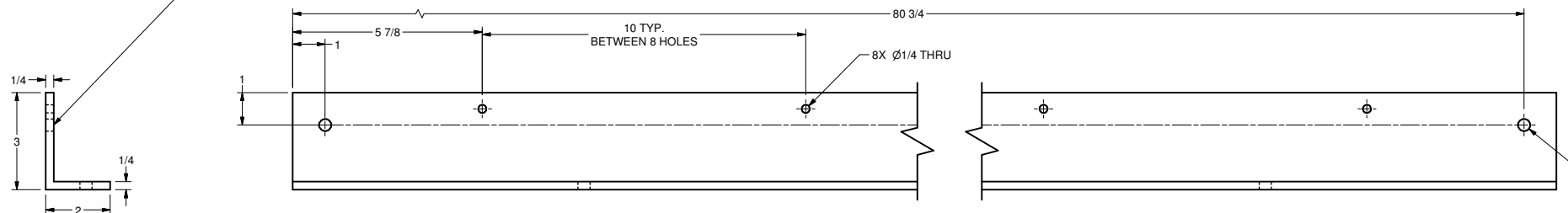
UNLESS OTHERWISE SPECIFIED DIMENSIONS ARE IN INCHES		POLAR		PASSCAL	
TOLERANCES - ANGLES ± 1°		POLAR PROJECTS		SOCORRO, NM 87801	
4 PLACE DECIMALS (XXXX) ± .0005		DRAWN BY		B. BONNETT	
3 PLACE DECIMALS (XXX) ± .005		DATE		8/14/2007	
2 PLACE DECIMALS (XX) ± .01		DESIGNED BY		B. BONNETT	
1 PLACE DECIMALS (X) ± .05		APPROVED BY		DATE	
MATERIAL:		POLAR ALUMINUM ANGLE		DRAWING NUMBER	
6061-T6		SOLAR PANEL MOUNT		POLAR PROJECTS	
FINISH:		SHEET NUMBER		1 of 7	
NEXT ASSEMBLY		REV		C	
DWG. TYPE		SCALE		1	
		DRAWING NUMBER		POLAR PROJECTS	

INVENTOR : POLENET Angle MountLdw

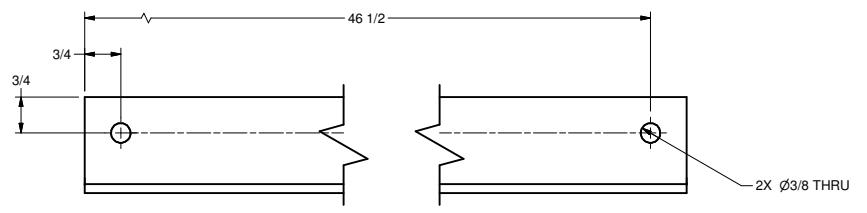
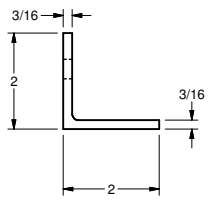
NOTES:

REV	DATE	DRAWN BY	APPRVD BY	DESCRIPTION

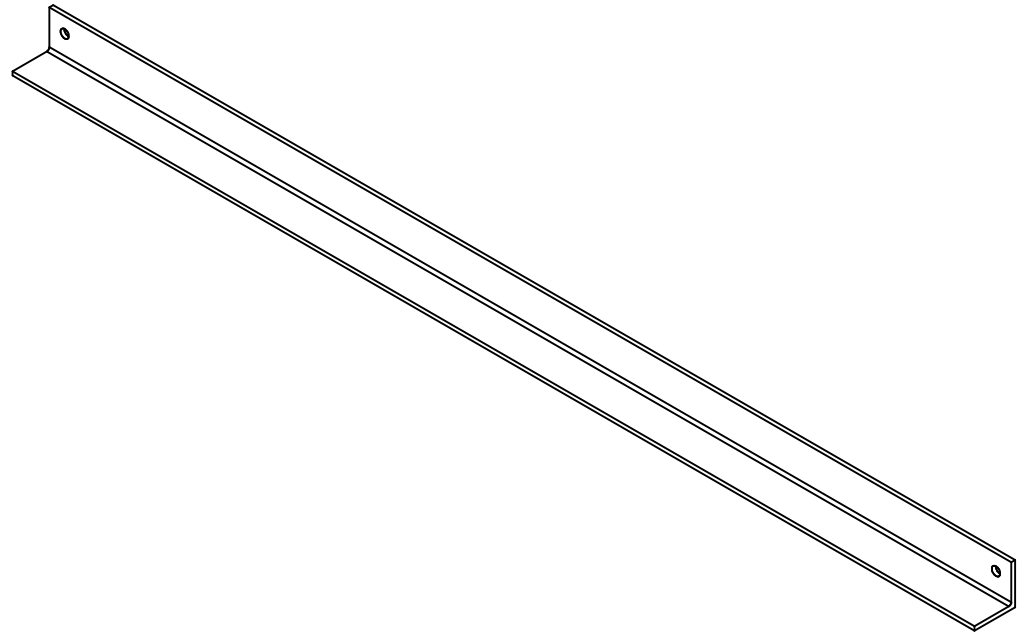
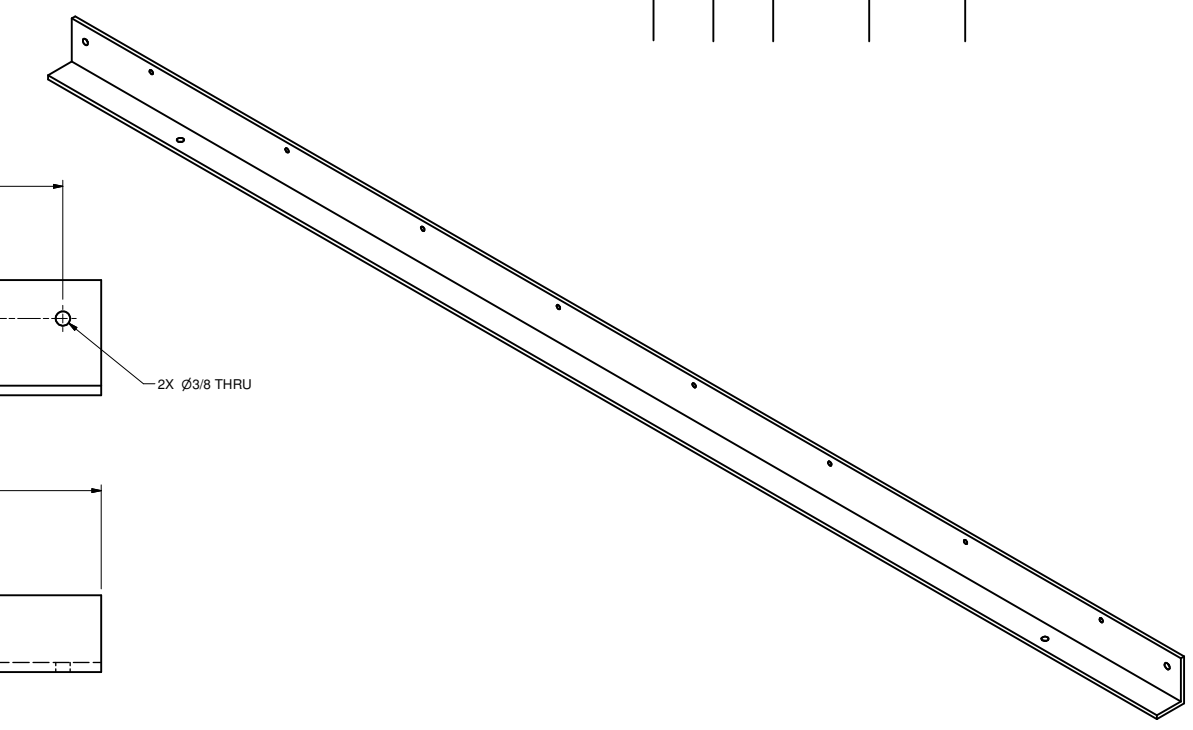
INSTALL MCMMASTER PN 94579A500
2 PLACES



REAR SUPPORT
QTY: 2
MATRL: 6061 ALUMINUM ANGLE



BACK HORIZONTAL BRACE
QTY: 1
MATRL: 6061 ALUMINUM ANGLE



UNLESS OTHERWISE SPECIFIED DIMENSIONS ARE IN INCHES		POLAR		PASSCAL POLAR PROJECTS SOCORRO, NM 87801	
TOLERANCES - ANGLES ± 1°		POLYNET ALUMINUM ANGLE SOLAR PANEL MOUNT		DRAWN BY B. BONNETT DATE 8/14/2007	
4 PLACE DECIMALS (XXXX) ± .0005				DESIGNED BY B. BONNETT DATE 8/14/2007	
3 PLACE DECIMALS (XXX) ± .005				APPROVED BY	
2 PLACE DECIMALS (XX) ± .01				DATE	
1 PLACE DECIMALS (X) ± .05				DRAWING NUMBER POLNET Angle Mount	
MATERIAL: 6061-T6		SHEET NUMBER 3 of 7		REV C	
FINISH:		SCALE 1			
NEXT ASSEMBLY		DWG. TYPE			

INVENTOR : POLNET Angle Mount.lidw

