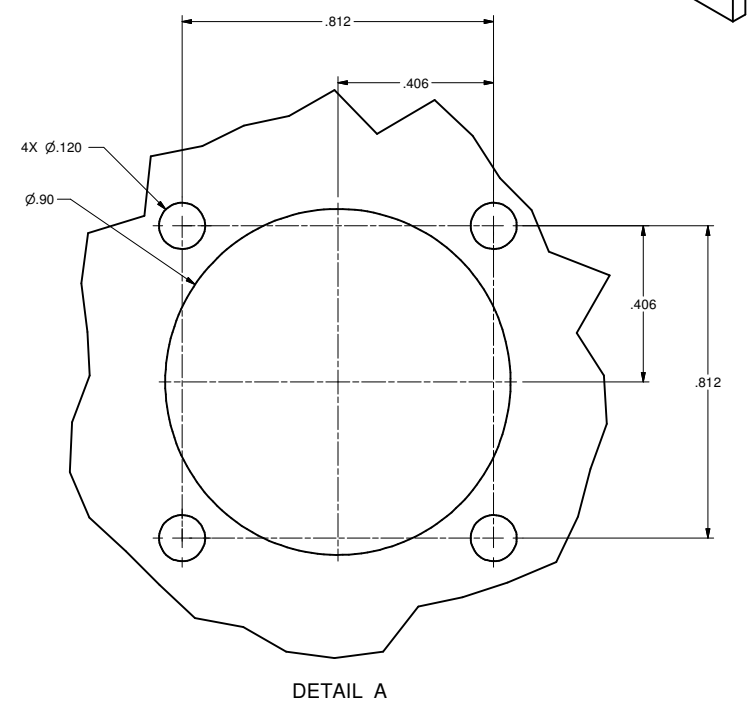
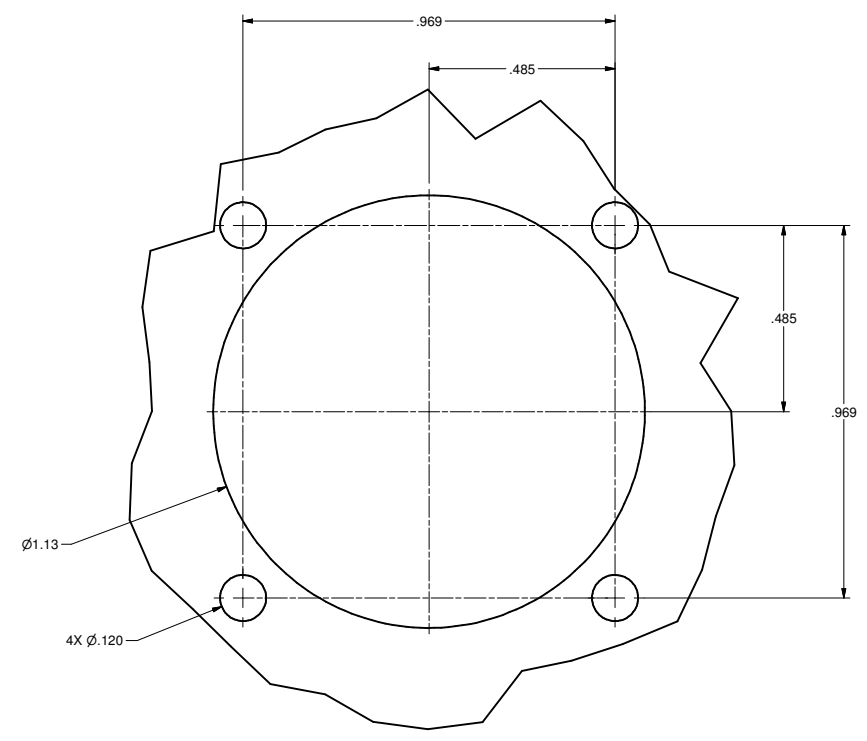
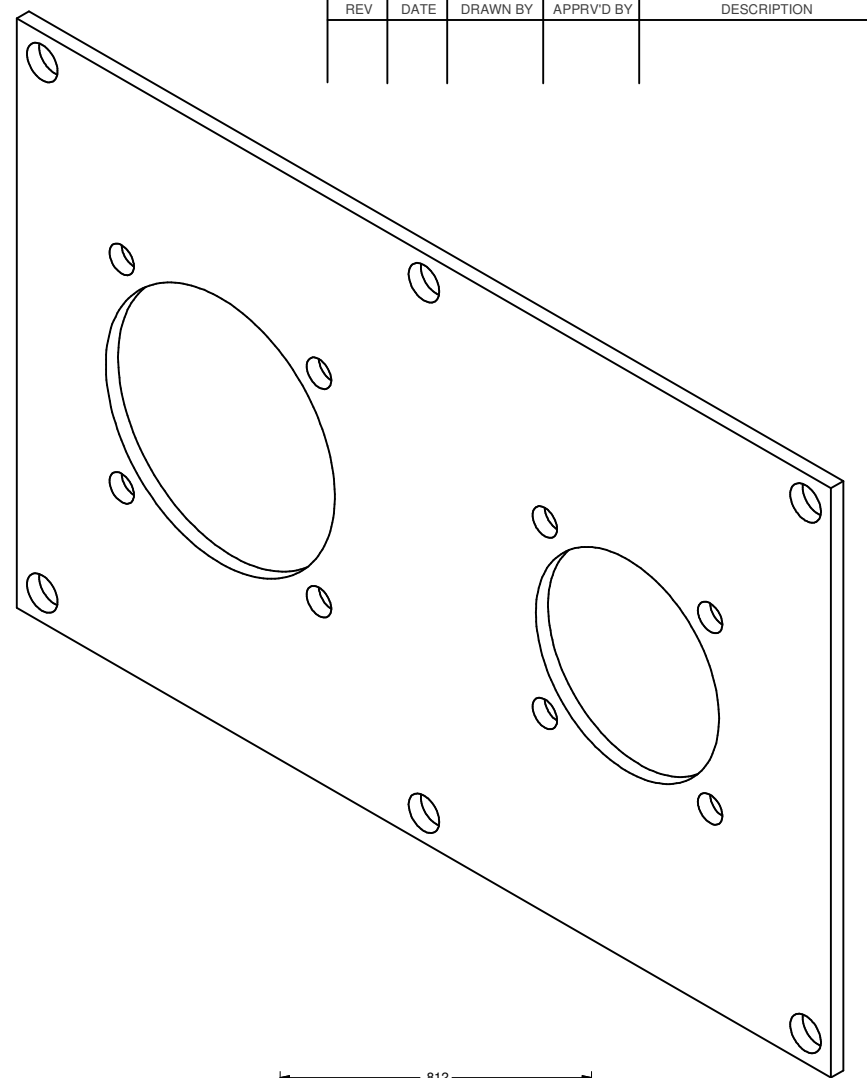
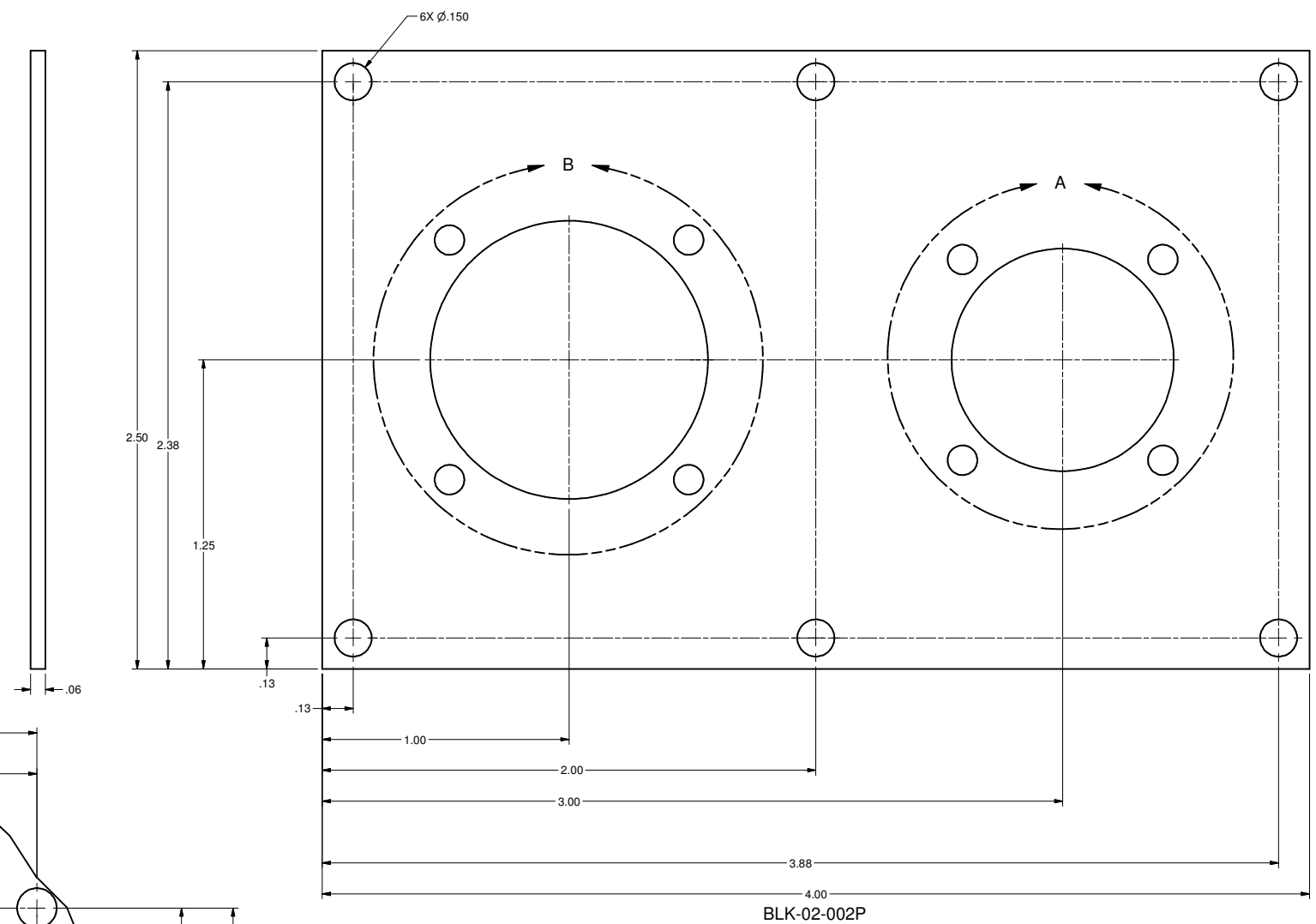


NOTES:

- 1 REMOVE ALL BURRS AND SHARP EDGES

REV	DATE	DRAWN BY	APPRVD BY	DESCRIPTION



INVENTOR : BLK-02-002P.idw

UNLESS OTHERWISE SPECIFIED DIMENSIONS ARE IN INCHES		POLAR		IRIS/PASSCAL	
TOLERANCES - ANGLES :	1°			POLAR PROGRAM	
4 PLACE DECIMALS (XXXX) :	.0005			SOCORRO, NM 87801	
3 PLACE DECIMALS (XXX) :	.005	BLK-02-002P		DESIGNED BY	B. BONNETT
2 PLACE DECIMALS (XX) :	.01	ALUMINUM		DATE	8/11/2008
1 PLACE DECIMALS (X) :	.1	FINISH:		DESIGNED BY	B. BONNETT
				DATE	8/11/2008
				APPROVED BY	B. BONNETT
				DATE	8/11/2008
				DRAWING NUMBER	BLK-02-002P
		SHEET NUMBER	1 of 1	REV	-
				SCALE	1
		NEXT ASSEMBLY	DWG. TYPE		