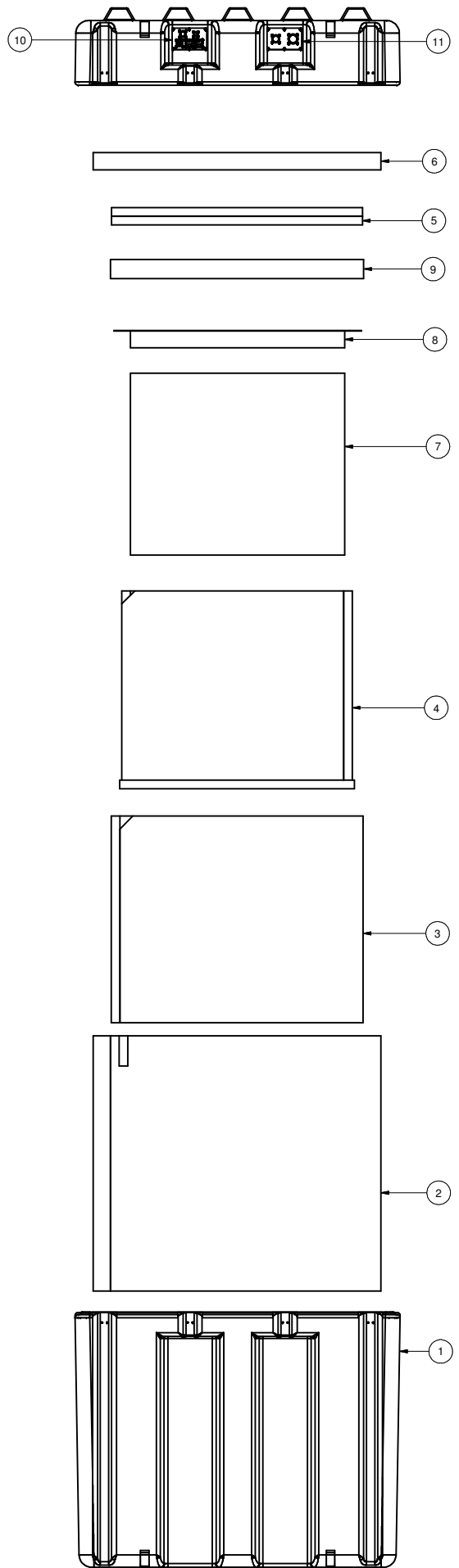
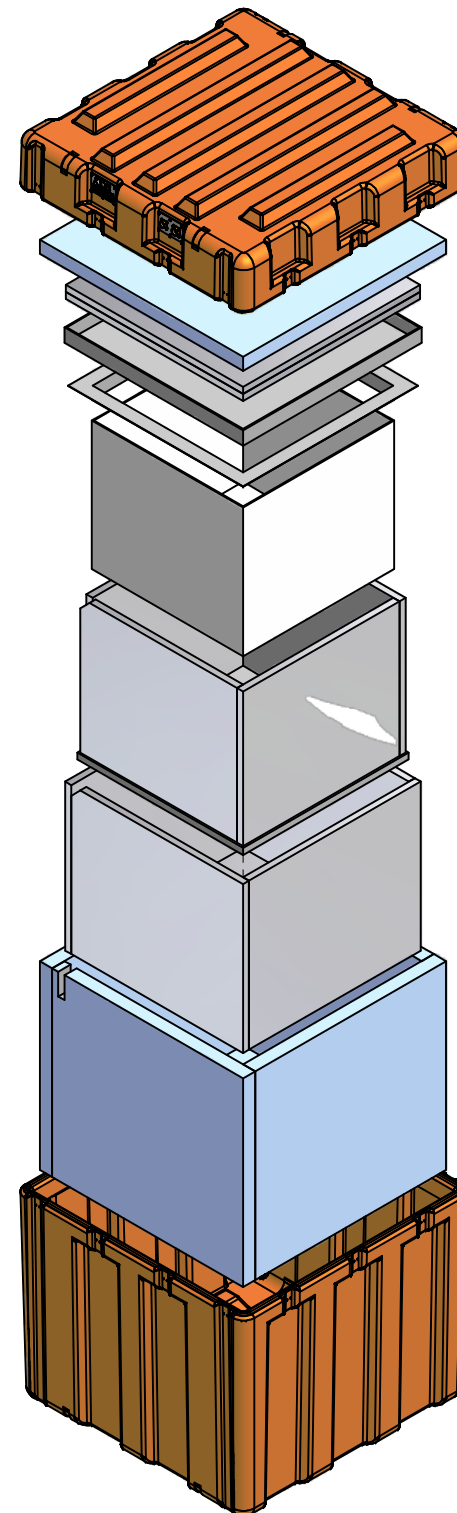


NOTES:



HARDIGG AL3434-2807 INSULATED REAR VIEW



HARDIGG AL3434-2807 INSULATED REFERENCE VIEW

REV	DATE	DRAWN BY	APPRVD BY	DESCRIPTION

ITEM	MANUFACTURER	PART NUMBER	DESCRIPTION	QTY
11	HYDROCUT INC.	BLK-02-002A	BULKHEAD CONNECTOR PANEL	1
10	HYDROCUT INC.	BLK-02-001A	BULKHEAD CONNECTOR PANEL	1
9	US PLASTICS CORP	LIN-02-003P	3/16" POLYPROPYLENE LINER	1
8	PASSCAL	LIN-02-002P	FABRICATED PVC LINER	1
7	US PLASTICS CORP	LIN-02-001P	3/16" POLYPROPYLENE LINER	1
6	PASSCAL	XPS-02-004P	2" EXTRUDED POLYSTYRENE	1
5	NANOPORE	VIP-02-003A	2" THICK VIP LID	1
4	NANOPORE	VIP-02-002A	1" THICK VIP BOX	1
3	NANOPORE	VIP-02-001A	1" THICK VIP BOX	1
2	PASSCAL	XPS-02-001A	EXTRUDED POLYSTYRENE BOX	1
1	HARDIGG	AL3434-2807	STANDARD ROTOMOLDED CASE	1

UNLESS OTHERWISE SPECIFIED DIMENSIONS ARE IN INCHES		POLAR		IRIS/PASSCAL POLAR PROGRAM	
TOLERANCES - ANGLES ± 1°		HARDIGG AL3434-2807 INSULATED		SOCORRO, NM 87801	
4 PLACE DECIMALS (.XXXX) ±		MATERIAL:		DRAWN BY B. BONNETT DATE 3/25/2009	
3 PLACE DECIMALS (.XXX) ±		FINISH:		DESIGNED BY B. BONNETT DATE 3/25/2009	
2 PLACE DECIMALS (.XX) ±		NEXT ASSEMBLY		APPROVED BY	
1 PLACE DECIMALS (.X) ±		DWG. TYPE		DATE	
SHEET NUMBER 1 OF 1		SCALE 1		DRAWING NUMBER HARDIGG AL3434-2807 INSULATED	