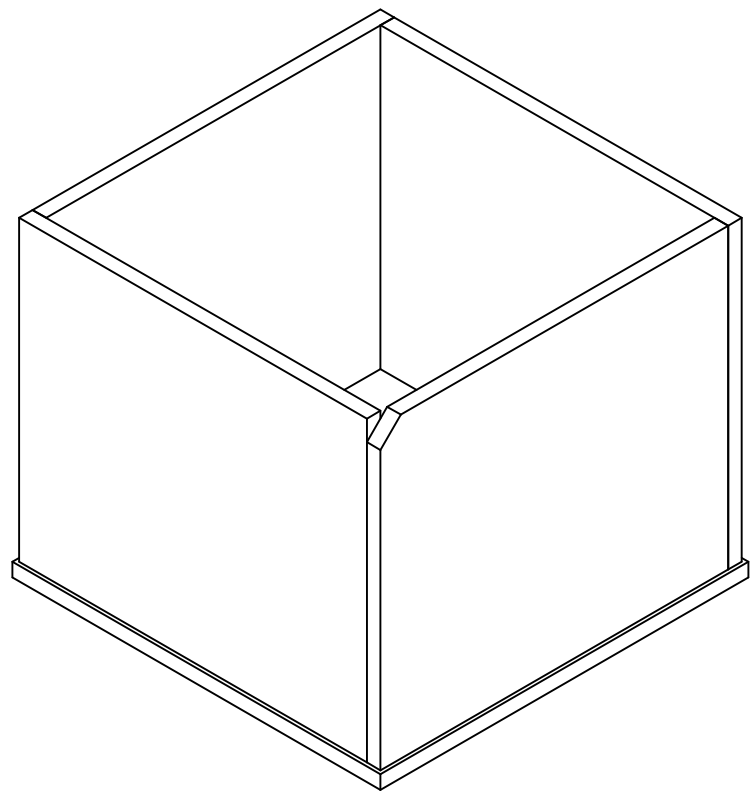
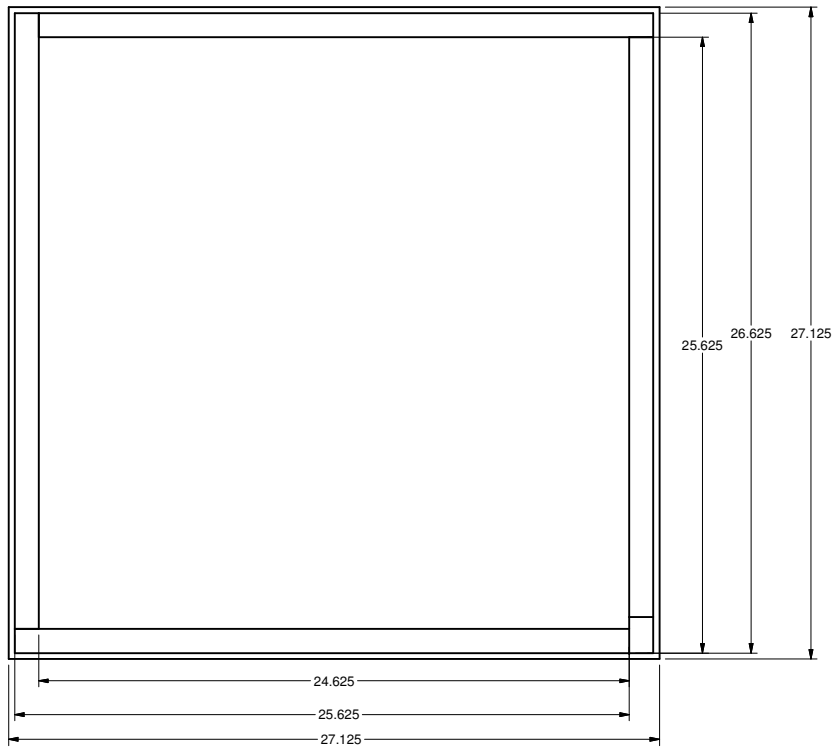
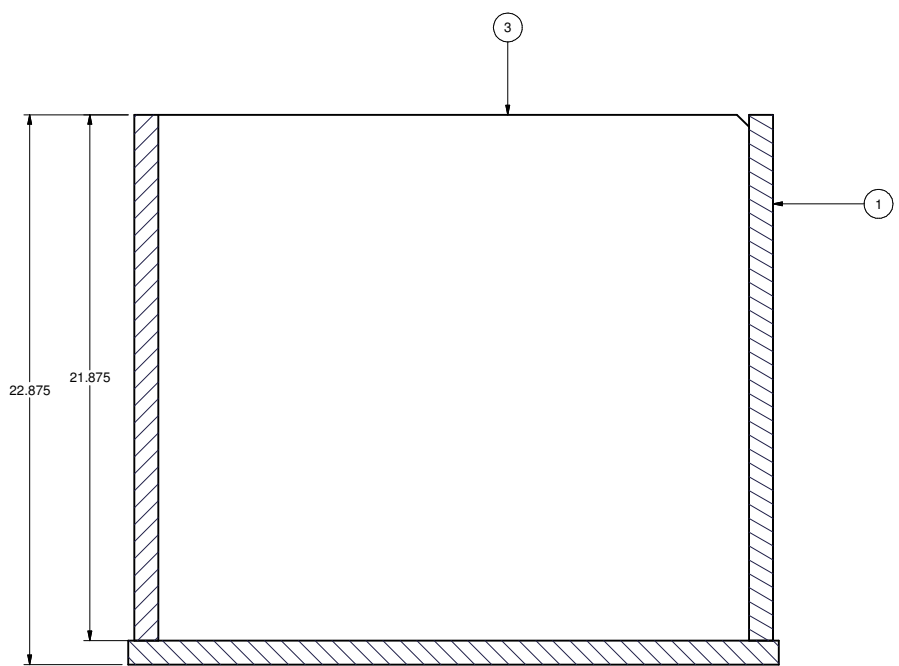


NOTES:
1 INNER VIP LAYER FOR USE IN HARDIGG AL3434-2807

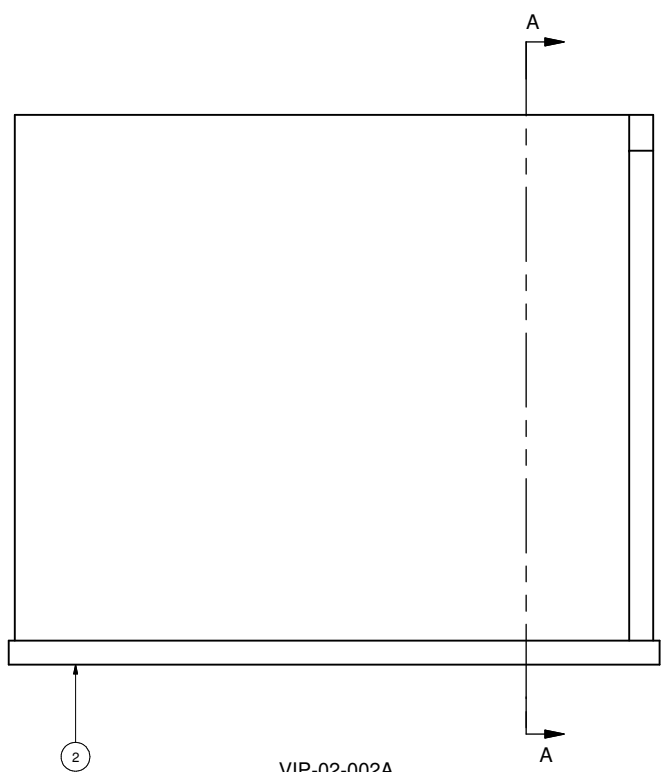
REV	DATE	DRAWN BY	APPRVD BY	DESCRIPTION
A	09/03/08	B. BONNETT	B. BONNETT	CHANGED FIBERGLASS DIMS
B	10/03/08	B. BONNETT	B. BONNETT	REMOVED FIBERGLASS PANELS



REFERENCE VIEW



SECTION A-A



VIP-02-002A

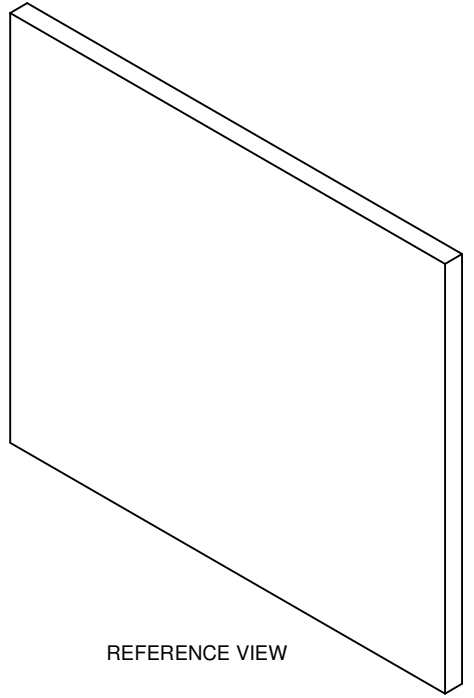
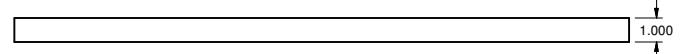
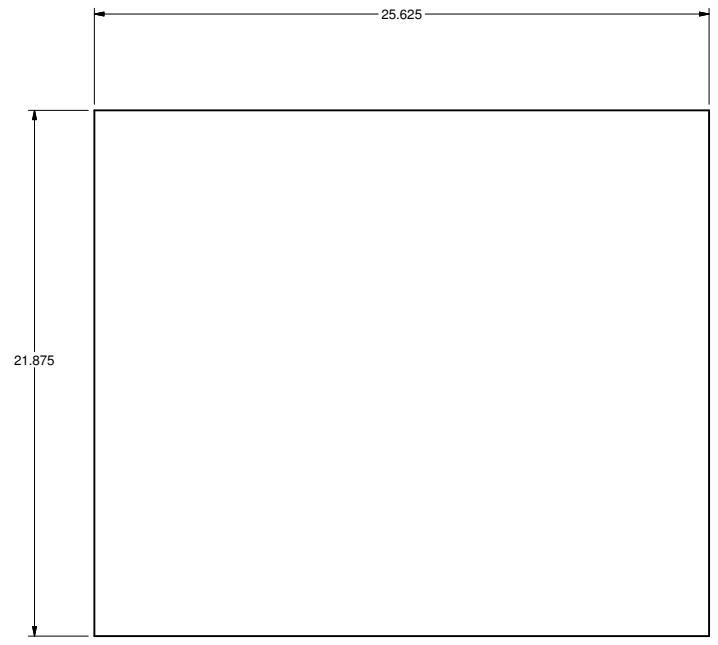
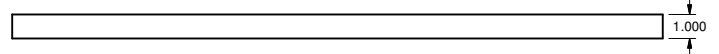
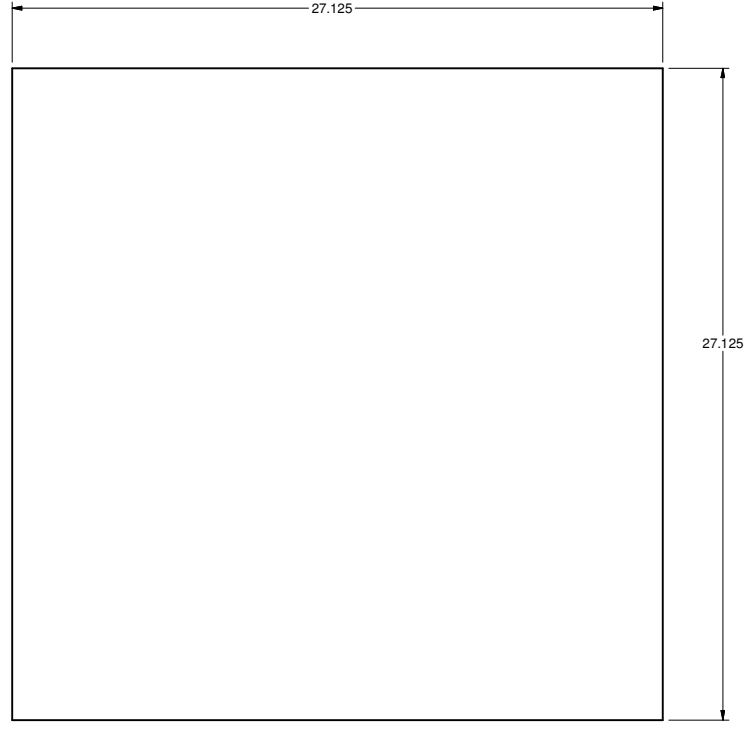
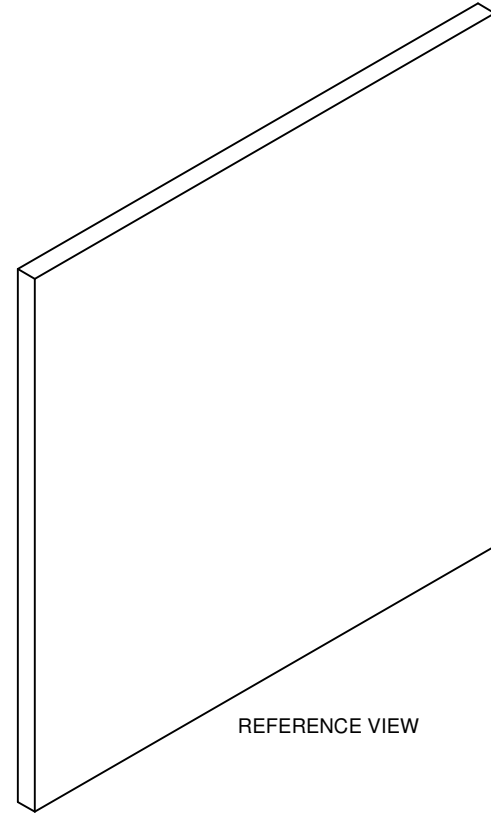
ITEM	MANUFACTURER	PART NUMBER	DESCRIPTION	QTY
3	NanoPore	VIP-02-006P	Vacuum Insulation Panel	1
2	NanoPore	VIP-02-003P	Vacuum Insulation Panel	1
1	NanoPore	VIP-02-004P	Vacuum Insulation Panel	3

UNLESS OTHERWISE SPECIFIED DIMENSIONS ARE IN INCHES		POLAR		IRIS/PASSCAL POLAR PROGRAM	
TOLERANCES - ANGLES ± 1°				SOCORRO, NM 87801	
4 PLACE DECIMALS (.XXXX) ±				DRAWN BY B. BONNETT DATE 5/9/2008	
3 PLACE DECIMALS (.XXX) ±				DESIGNED BY B. BONNETT DATE 5/9/2008	
2 PLACE DECIMALS (.XX) ±				APPROVED BY	
1 PLACE DECIMALS (.X) ±					
MATERIAL: VACUUM INSULATION PANELS		VIP-02-002A			
FINISH:					
SHEET NUMBER 1 of 3		REV B		SCALE 1	
DRAWING NUMBER VIP-02-002A					

INVENTOR: VIP-02-002A.lidw	
NEXT ASSEMBLY	DWG. TYPE

REV	DATE	DRAWN BY	APPRVD BY	DESCRIPTION

NOTES:



INVENTOR: VIP-02-002A.ldw

NEXT ASSEMBLY DWG. TYPE

<small>UNLESS OTHERWISE SPECIFIED DIMENSIONS ARE IN INCHES</small> <small>TOLERANCES : ANGLES ± 1°</small> <small>4 PLACE DECIMALS (.XXXX) ±</small> <small>3 PLACE DECIMALS (.XXX) ± .005</small> <small>2 PLACE DECIMALS (.XX) ± .01</small> <small>1 PLACE DECIMALS (.X) ±</small>	POLAR	IRIS/PASSCAL POLAR PROGRAM
	VIP-02-002A	<small>DESIGNED BY B. BONNETT</small> <small>DATE 5/9/2008</small>
	<small>DESIGNED BY B. BONNETT</small> <small>DATE 5/9/2008</small> <small>APPROVED BY</small> <small>DATE</small>	
<small>SHEET NUMBER</small> 2 <small>OF</small> 3	<small>REV</small> B	<small>SCALE</small> 1
<small>DRAWING NUMBER</small> VIP-02-002A		<small>DATE</small>

PRODUCED BY AN AUTODESK EDUCATIONAL PRODUCT

PRODUCED BY AN AUTODESK EDUCATIONAL PRODUCT

D

D

PRODUCED BY AN AUTODESK EDUCATIONAL PRODUCT

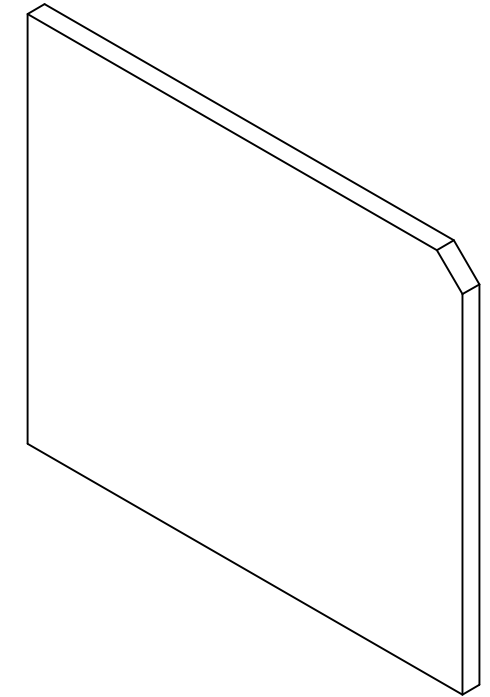
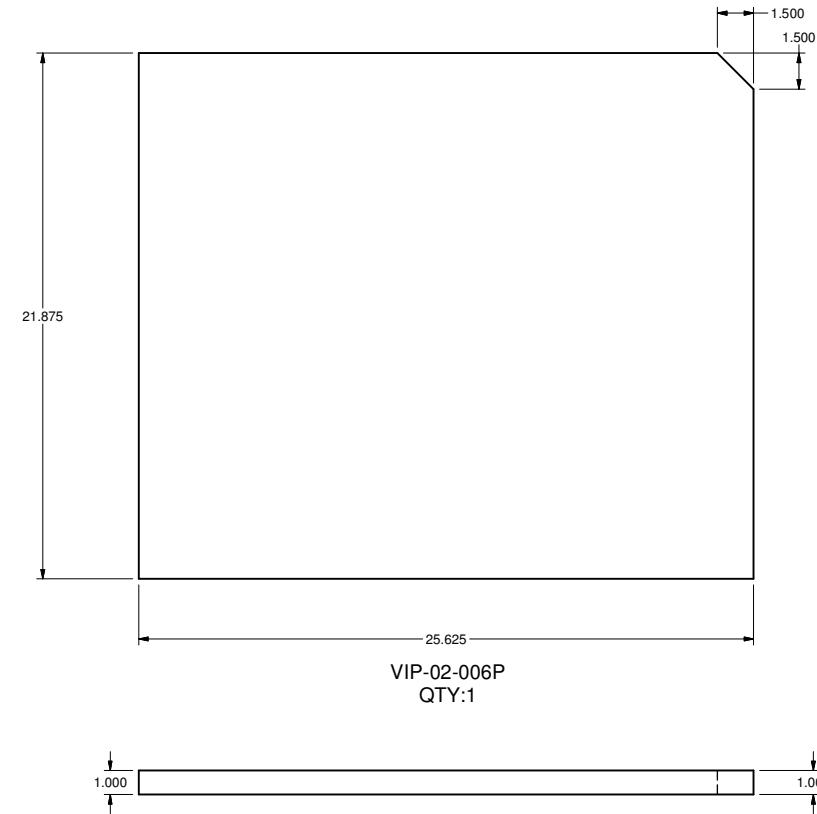
PRODUCED BY AN AUTODESK EDUCATIONAL PRODUCT

A

A

NOTES:

REV	DATE	DRAWN BY	APPRVD BY	DESCRIPTION



REFERENCE VIEW

UNLESS OTHERWISE SPECIFIED DIMENSIONS ARE IN INCHES		POLAR		IRIS/PASSCAL POLAR PROGRAM	
TOLERANCES - ANGLES ± 1°				SOCORRO, NM 87801	
4 PLACE DECIMALS (XXXX) ±				DRAWN BY B. BONNETT	
3 PLACE DECIMALS (XXX) ±				DATE 5/9/2008	
2 PLACE DECIMALS (XX) ±				DESIGNED BY B. BONNETT	
1 PLACE DECIMALS (X) ±				DATE 5/9/2008	
		VIP-02-002A		APPROVED BY	
				DATE	
INVENTOR : VIP-02-002A.ldw		SHEET NUMBER 3 of 3		SCALE 1	
NEXT ASSEMBLY		REV B		DRAWING NUMBER VIP-02-002A	
DWG. TYPE					