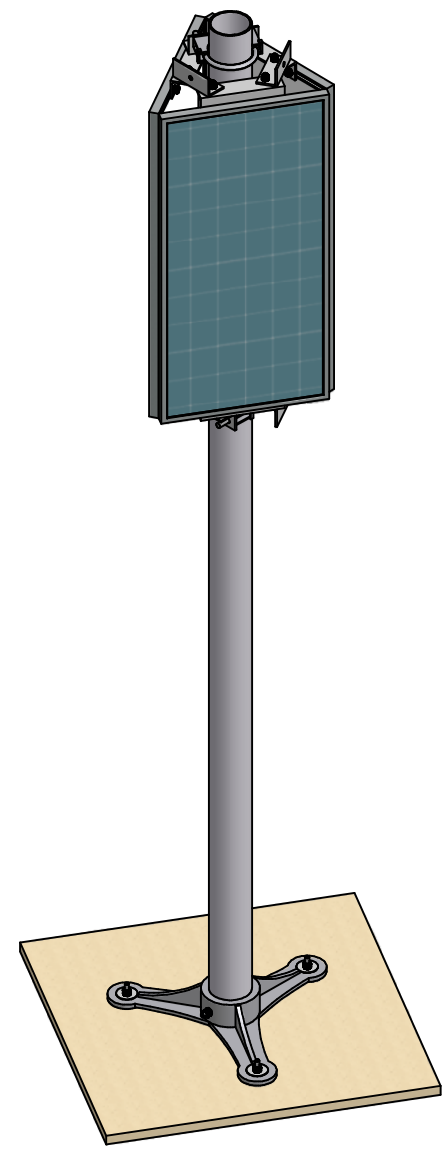
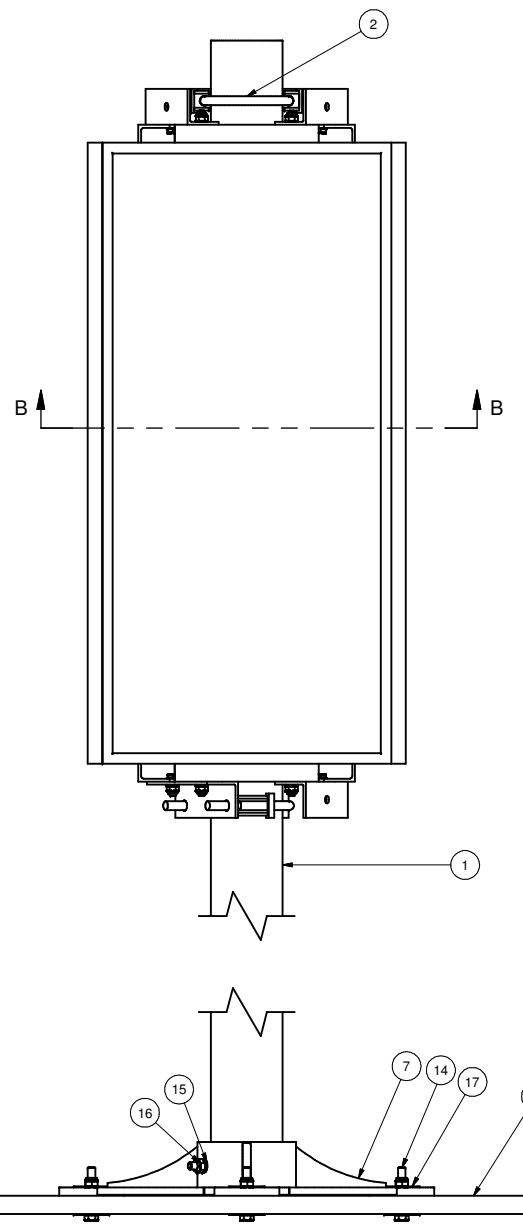
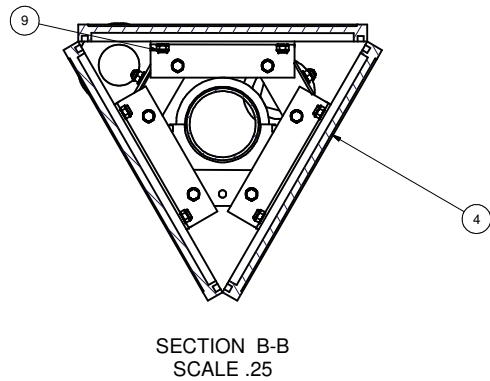
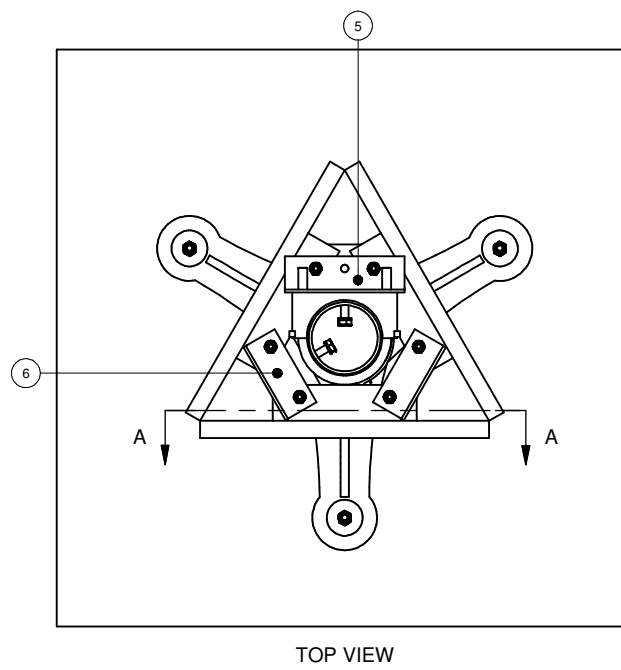
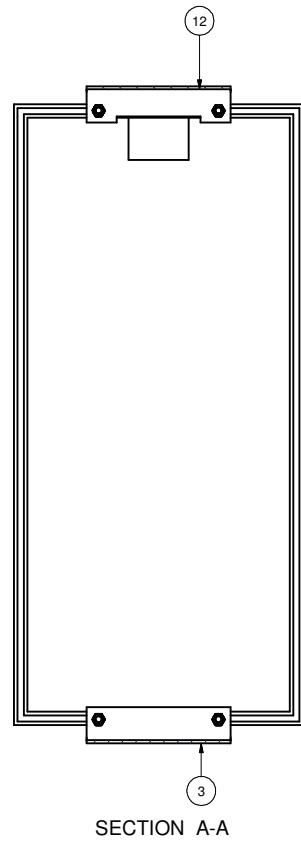


- NOTES:
- 1 REMOVE ALL BURRS AND SHARP EDGES
  - 2 5" OF 1.5"x1.5".125" ALUMINUM ANGLE REQUIRED
  - 3 7' OF 3"OD .125" WALL ALUMINUM TUBE REQUIRED



ITEM	MANUFACTURER	PART NUMBER	DESCRIPTION	QTY
17	BARNHILL BOLT	320-516-112-01	5/16 FENDER WASHER, 1.5" OD	6
16	McMaster	95615A160	5/16 Std NC Nylock Nut	5
15	BARNHILL BOLT	304-516-A-01	Washer, Fl, 5/16	8
14	McMASTER	91247A587	5/16-18 X 1.5" BOLT	5
13	BARNHILL BOLT	2-14-34-01	1/4-20 X 0.75" BOLT	14
12	PASSCAL	PVM-06-006P	1.5" x 1.5" x 0.125" AL ANGLE	3
11	McMaster	95615A120	1/4 Std NC Nylock Nut	26
10	BARNHILL BOLT	304-14-A-01	Washer, Fl, 1/4	24
9	ASSOC. FASTENING	BM-42000500S-22	1/4-20x.5" SQUARE HEAD BOLT	12
8	PASSCAL	PVM-06-005P	PLYWOOD	1
7	CENTRAL MACHINERY	42968	CAST IRON PEDESTAL	1
6	PASSCAL	PVM-06-003P	1.5" x 1.5" x 0.125" AL ANGLE	4
5	PASSCAL	PVM-06-002P	1.5" x 1.5" x 0.125" AL ANGLE	2
4	SUNTECH	STP020-12	20 WATT PV	3
3	PASSCAL	PVM-06-001P	1.5" x 1.5" x 0.125" AL ANGLE	3
2	CLAMPS INC	UD300	3" DIA 3/8-16 U-BOLT	2
1	PASSCAL	PVM-06-004P	3" OD AL TUBE	1

UNLESS OTHERWISE SPECIFIED DIMENSIONS ARE IN INCHES

TOLERANCES: ANGLES ± 1°  
 4 PLACE DECIMALS (.XXXX) ± .0005  
 3 PLACE DECIMALS (.XXX) ± .005  
 2 PLACE DECIMALS (.XX) ± .01  
 1 PLACE DECIMALS (.X) ± .05

INVENTOR: PVM-06-003A.idw

3X 20 WATT PV MOUNT

PASSCAL POLAR PROJECTS  
 SOCORRO, NM 87801

SINGLE MAST-TRI PANEL PV MOUNT

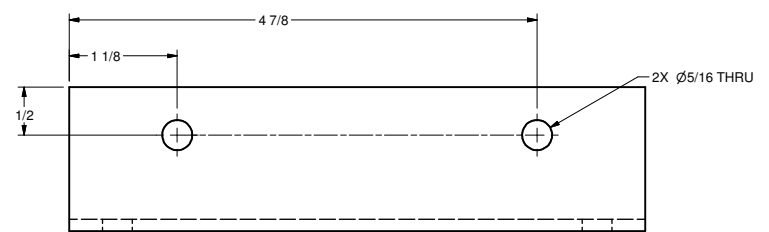
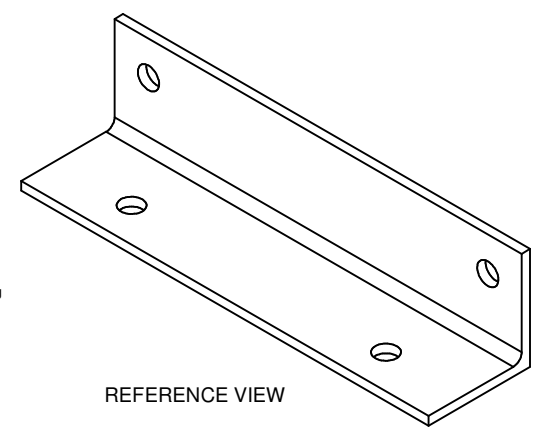
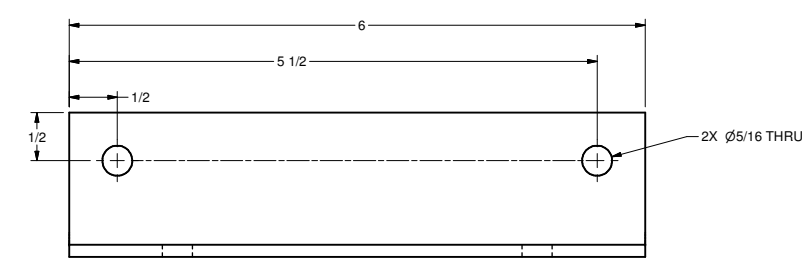
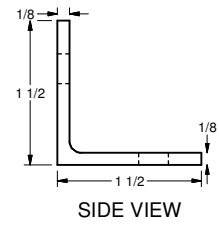
DESIGNED BY: B. BONNETT DATE: 6/6/2008  
 DESIGNED BY: B. BONNETT DATE: 6/6/2008  
 APPROVED BY: DATE:

SHEET NUMBER 1 OF 5 REV - SCALE 1 DRAWING NUMBER PVM-06-003A

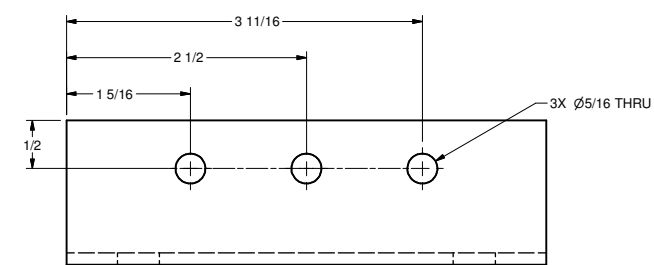
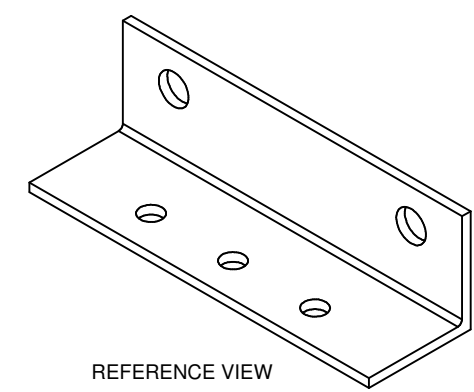
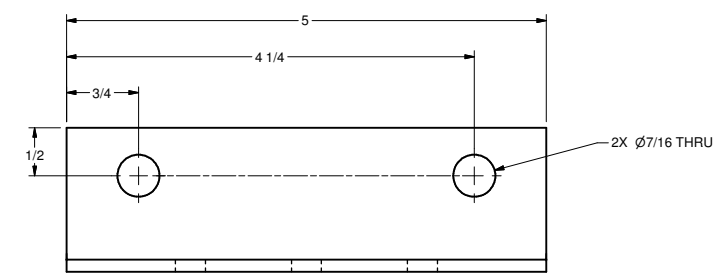
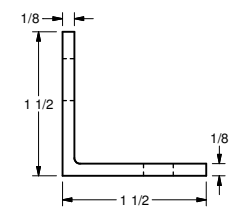
REV	DATE	DRAWN BY	APPRVD BY	DESCRIPTION

NOTES:

REV	DATE	DRAWN BY	APPRVD BY	DESCRIPTION



PVM-06-001P  
QTY:3  
MATRL: 6061 ALUMINUM ANGLE



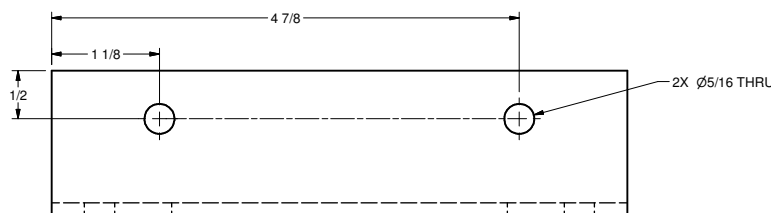
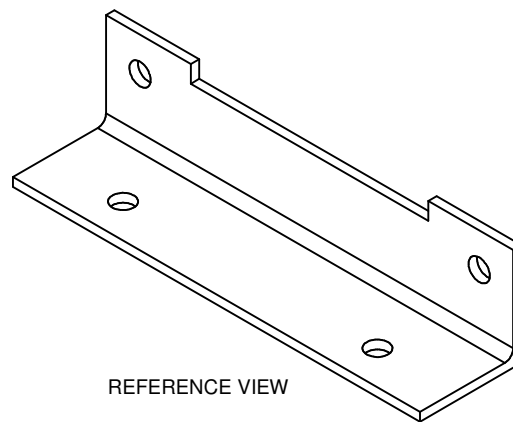
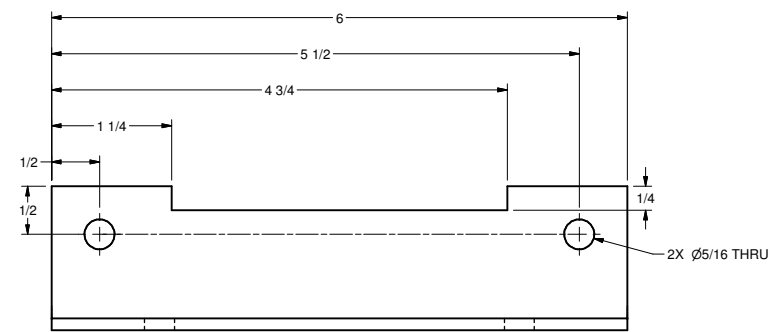
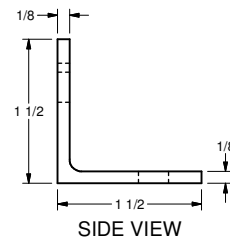
PVM-06-002P  
QTY: 2  
MATRL: 6061 ALUMINUM ANGLE

UNLESS OTHERWISE SPECIFIED DIMENSIONS ARE IN INCHES		3X 20 WATT PV MOUNT		PASSCAL POLAR PROJECTS	
TOLERANCES - ANGLES ± 1°				SOCORRO, NM 87801	
4 PLACE DECIMALS (.XXXX) ±				DRAWN BY B. BONNETT	
3 PLACE DECIMALS (.XXX) ± .005				DATE 6/6/2008	
2 PLACE DECIMALS (.XX) ± .01				DESIGNED BY B. BONNETT	
1 PLACE DECIMALS (.X) ±				DATE 6/6/2008	
MATERIAL:		SINGLE MAST-TRI PANEL PV MOUNT		APPROVED BY	
FINISH:					
INVENTOR : PVM-06-003A.idw		SHEET NUMBER 2 of 5		SCALE 1	
NEXT ASSEMBLY DWG. TYPE		REV -		DRAWING NUMBER PVM-06-003A	



NOTES:

REV	DATE	DRAWN BY	APPRVD BY	DESCRIPTION



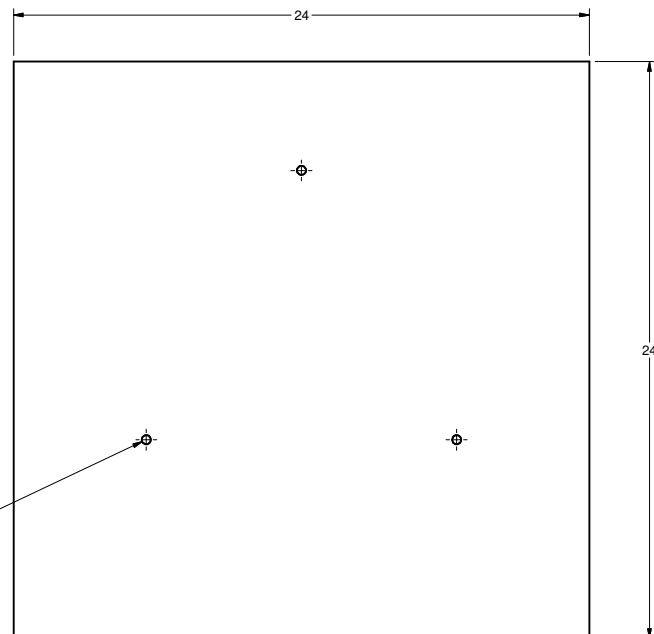
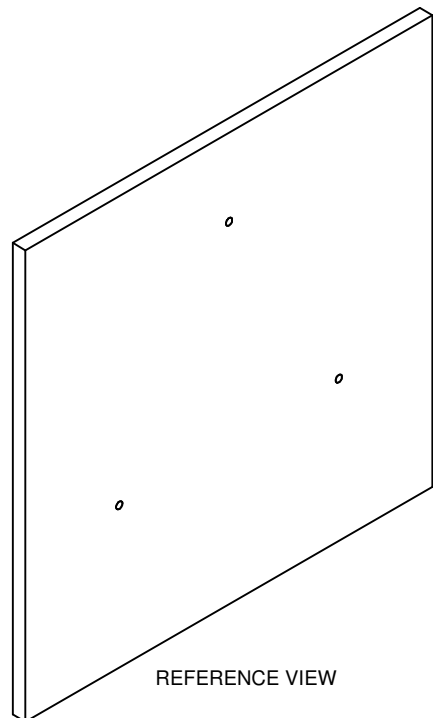
PVM-06-006  
 QTY: 3  
 MATRL: 6061 ALUMINUM ANGLE

PRODUCED BY AN AUTODESK EDUCATIONAL PRODUCT

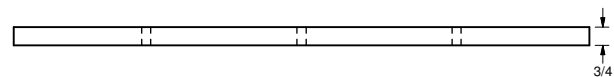
PRODUCED BY AN AUTODESK EDUCATIONAL PRODUCT

INVENTOR : PVM-06-003A.idw		UNLESS OTHERWISE SPECIFIED DIMENSIONS ARE IN INCHES		3X 20 WATT PV MOUNT		PASSCAL POLAR PROJECTS	
		TOLERANCES - ANGLES : 1°				SOCORRO, NM 87801	
		4 PLACE DECIMALS (XXXX) ±				DRAWN BY B. BONNETT	
		3 PLACE DECIMALS (XXX) ±				DATE 6/6/2008	
		2 PLACE DECIMALS (XX) ±				DESIGNED BY B. BONNETT	
		1 PLACE DECIMALS (X) ±				DATE 6/6/2008	
		MATERIAL:		SINGLE MAST-TRI PANEL PV MOUNT		APPROVED BY	
		FINISH:				DATE	
NEXT ASSEMBLY		DWG. TYPE		SHEET NUMBER 4 of 5		SCALE 1	
				DRAWING NUMBER PVM-06-003A			

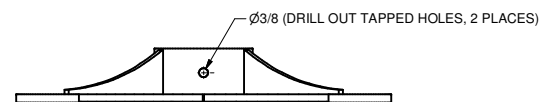
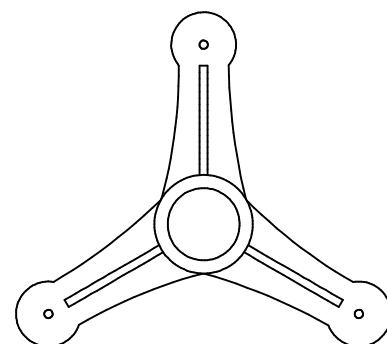
NOTES:



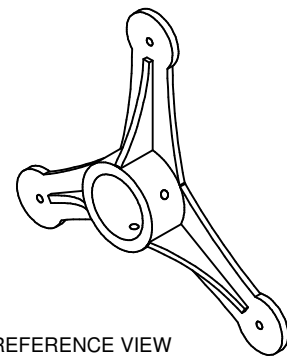
Ø3/8 THRU  
DRILL DURING ASSEMBLY



PVM-06-005P  
QTY: 1  
MATRL: PLYWOOD



42968  
QTY: 1  
(ADD SHOWN MODIFICATIONS TO CAST IRON PEDESTAL)



UNLESS OTHERWISE SPECIFIED DIMENSIONS ARE IN INCHES		3X 20 WATT PV MOUNT		PASSCAL POLAR PROJECTS	
TOLERANCES - ANGLES ± 1°				SOCORRO, NM 87801	
4 PLACE DECIMALS (XXXX) ±				DRAWN BY B. BONNETT	
3 PLACE DECIMALS (XXX) ± .005				DATE 6/6/2008	
2 PLACE DECIMALS (XX) ± .01				DESIGNED BY B. BONNETT	
1 PLACE DECIMALS (X) ±				DATE 6/6/2008	
MATERIAL:		SINGLE MAST-TRI PANEL PV MOUNT		APPROVED BY	
FINISH:				DATE	
INVENTOR : PVM-06-003A.idw		SHEET NUMBER 5 of 5		SCALE 1	
NEXT ASSEMBLY		DWG. TYPE		DRAWING NUMBER PVM-06-003A	