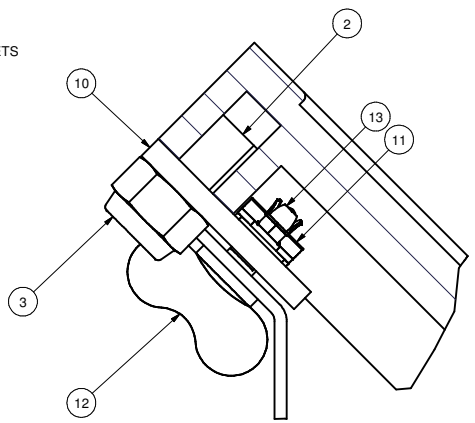
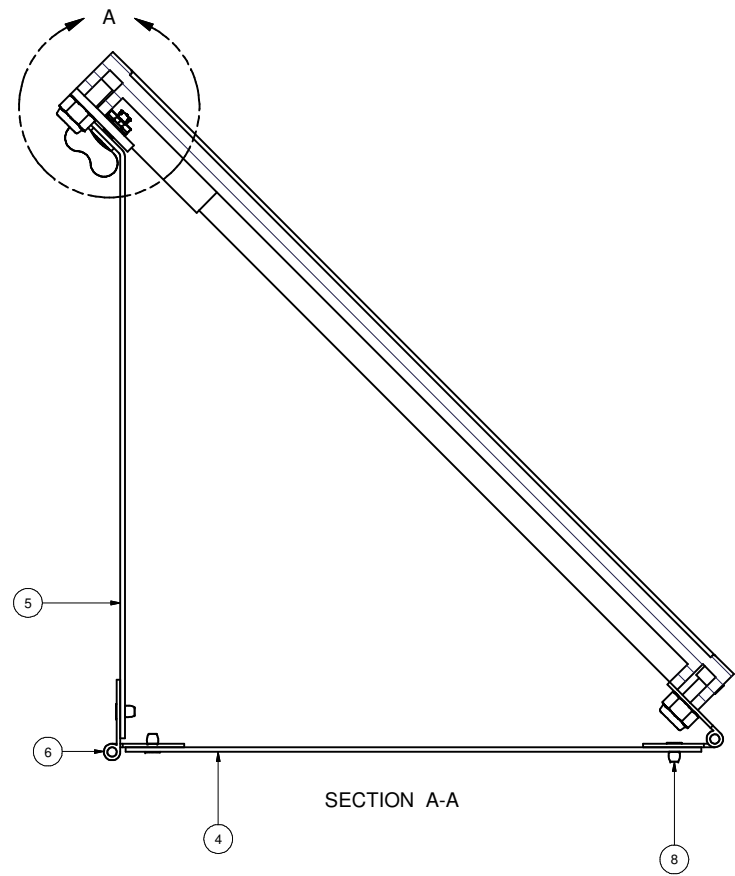


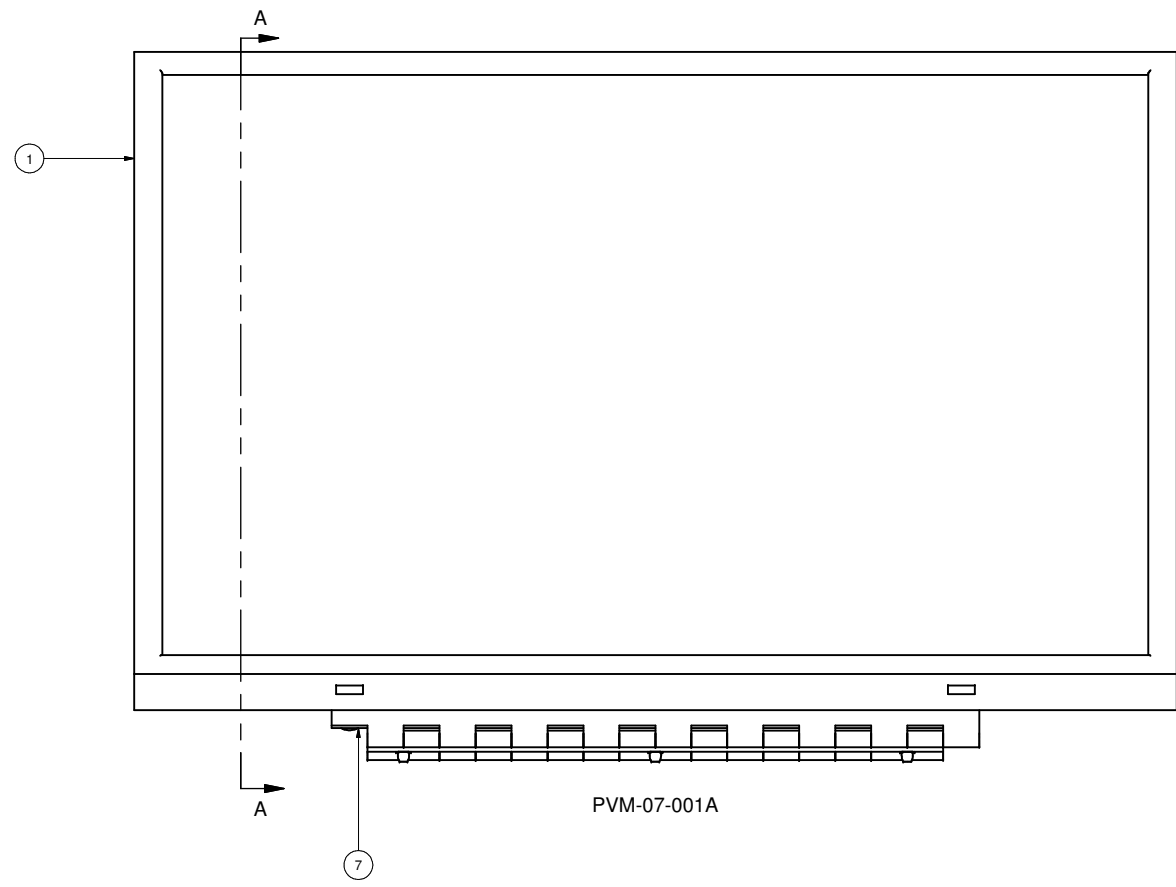
- NOTES:
- 1 REMOVE ALL BURRS AND SHARP EDGES
 - 2 INSTALL RIVETS IN DIRECTIONS AND LOCATIONS SHOWN
 - 3 INSTALL CAPTIVE FASTENER RECEPTICAL USING 3/32 RIVETS



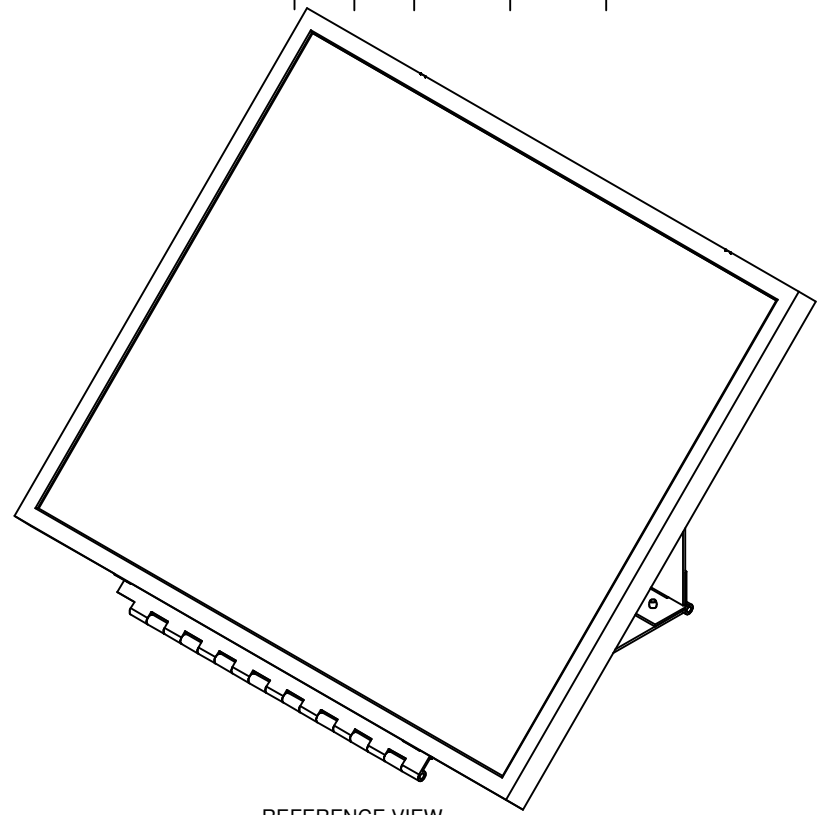
DETAIL A



SECTION A-A



PVM-07-001A



REFERENCE VIEW

ITEM	MANUFACTURER	PART NUMBER	DESCRIPTION	QTY
13	McMASTER	97447A110	3/32 ALUMINUM BLIND RIVET	4
12	SOUTHCO	82-12-180-16	CAPTIVE FASTENER	2
11	SOUTHCO	82-35-302-15	FASTENER RECEPTACLE	2
10	HYDROCUT	PVM-07-005P	1/8" ALUMINUM	1
8	McMASTER	97447A210	1/8" ALUMINUM BLIND RIVET	10
7	McMASTER	PVM-07-004P	2" ALUMINUM PIANO HINGE	1
6	McMASTER	PVM-07-003P	2" ALUMINUM PIANO HINGE	1
5	HYDROCUT	PVM-07-002P	1/16" ALUMINUM	1
4	HYDROCUT	PVM-07-001P	1/16" ALUMINUM	1
3	McMASTER	95615A120	1/4-20 Nylock Nut	4
2	ASSOC. FASTENENING	BM-42000500S-22	1/4-20x.5" SQUARE HEAD BOLT	4
1	SUNTECH	STP010S-12	10 WATT SOLAR PANEL	1

UNLESS OTHERWISE SPECIFIED DIMENSIONS ARE IN INCHES

TOLERANCES - ANGLES ± 1°
 4 PLACE DECIMALS (XXXX) ± .0005
 3 PLACE DECIMALS (XXX) ± .005
 2 PLACE DECIMALS (XX) ± .01
 1 PLACE DECIMALS (X) ± .05

POLAR

PASSCAL POLAR PROJECTS
 SOCORRO, NM 87801

DESIGNED BY: B. BONNETT DATE: 7/15/2008
 DESIGNED BY: B. BONNETT DATE: 7/15/2008

XPS-03-001A
 10 WATT PV MOUNT
 FOR USE WITH STORM CASE IM2720

INVENTOR: PVM-07-001A.idw

SHEET NUMBER 1 of 5

DWG. TYPE: NEXT ASSEMBLY

SCALE: 1

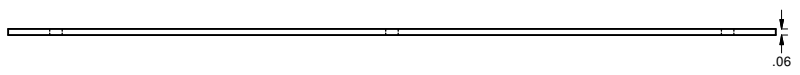
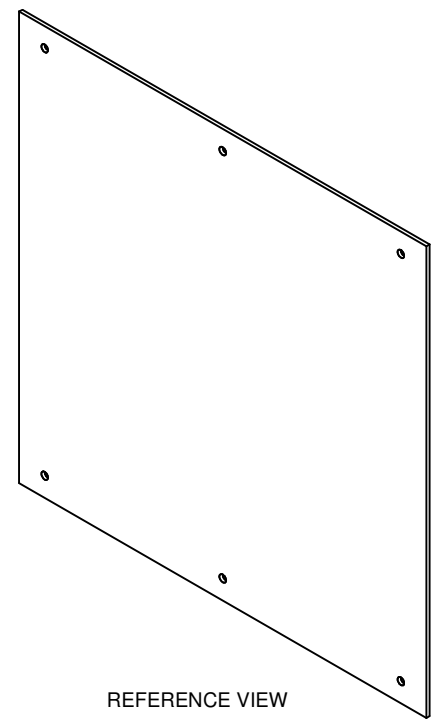
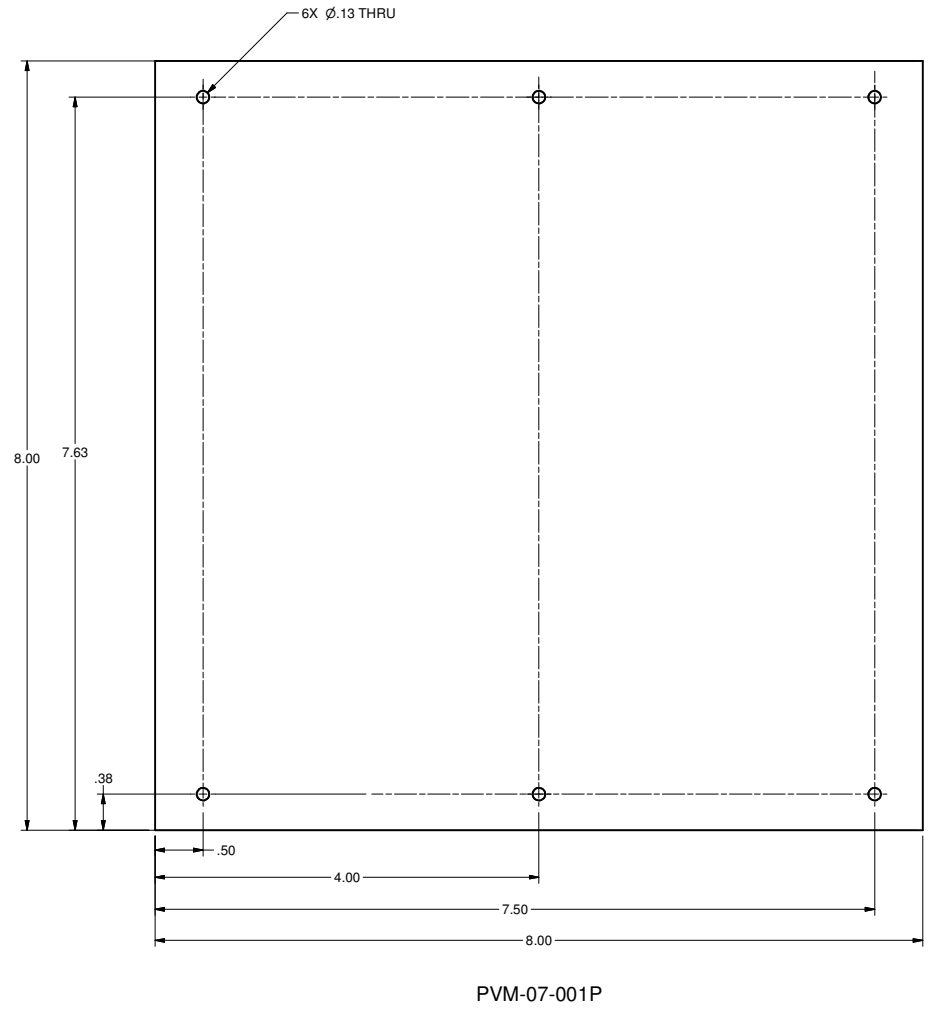
DRAWING NUMBER: PVM-07-001A

PRODUCED BY AN AUTODESK EDUCATIONAL PRODUCT

PRODUCED BY AN AUTODESK EDUCATIONAL PRODUCT

NOTES:

REV	DATE	DRAWN BY	APPRVD BY	DESCRIPTION



INVENTOR : PVM-07-001A.idw	
NEXT ASSEMBLY	DWG. TYPE

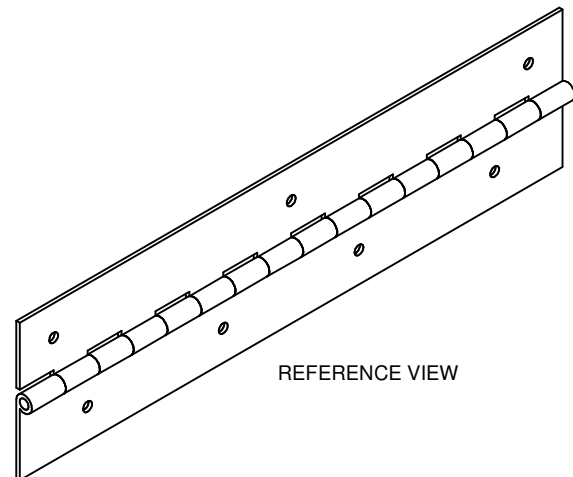
UNLESS OTHERWISE SPECIFIED DIMENSIONS ARE IN INCHES		POLAR		PASSCAL POLAR PROJECTS	
TOLERANCES : ANGLES ±	1°			SOCORRO, NM 87801	
4 PLACE DECIMALS (XXXX) ±				DRAWN BY	DATE
3 PLACE DECIMALS (XXX) ±	.005			B. BONNETT	7/15/2008
2 PLACE DECIMALS (XX) ±	.01			DESIGNED BY	DATE
1 PLACE DECIMALS (X) ±				B. BONNETT	7/15/2008
MATERIAL: ALUMINUM SHEET		XPS-03-001A 10 WATT PV MOUNT FOR USE WITH STORM CASE IM2720		APPROVED BY	DATE
FINISH:					
SHEET NUMBER	2 of 5	REV	-	SCALE	1
				DRAWING NUMBER	PVM-07-001A

PRODUCED BY AN AUTODESK EDUCATIONAL PRODUCT

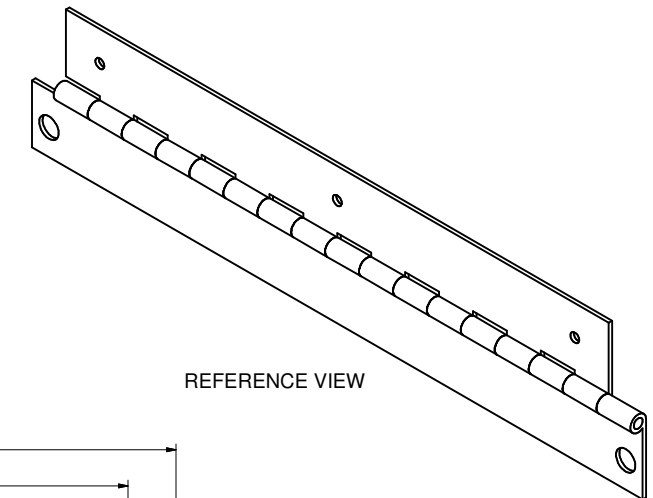
PRODUCED BY AN AUTODESK EDUCATIONAL PRODUCT

NOTES:

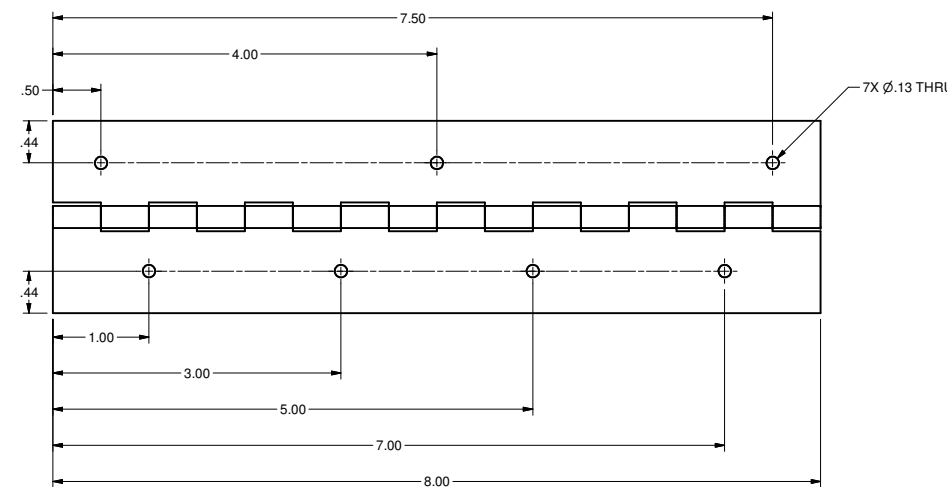
REV	DATE	DRAWN BY	APPRVD BY	DESCRIPTION



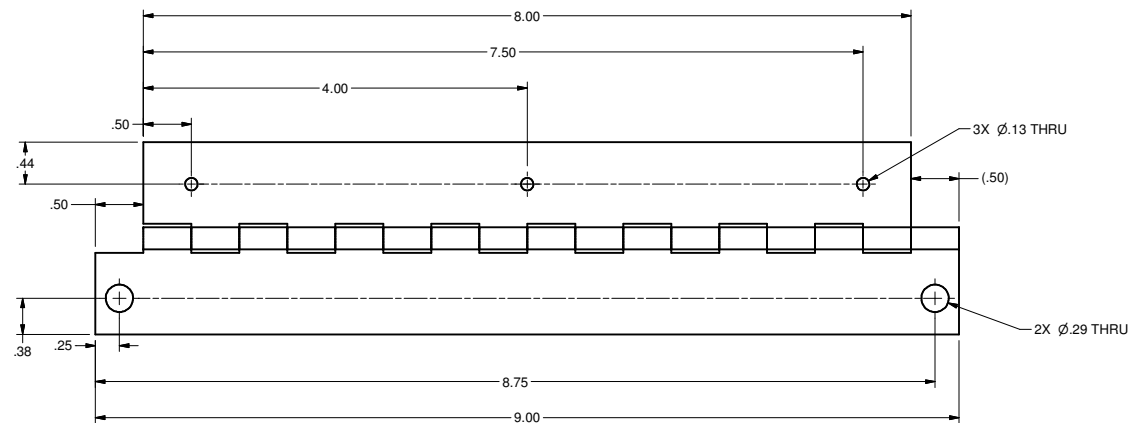
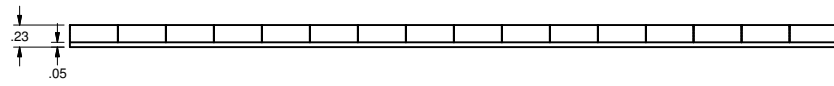
REFERENCE VIEW



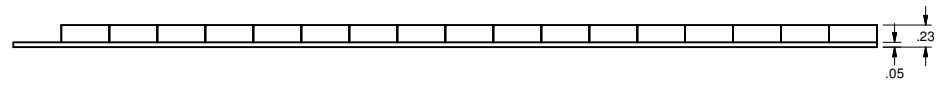
REFERENCE VIEW



PVM-07-003P
 MODIFY FROM MCMaster PN 1581A38
 2" ALUMINUM PIANO HINGE



PVM-07-004P
 MODIFY FROM MCMaster PN 1581A38
 2" ALUMINUM PIANO HINGE



UNLESS OTHERWISE SPECIFIED DIMENSIONS ARE IN INCHES		POLAR		PASSCAL POLAR PROJECTS	
TOLERANCES - ANGLES ± 1°		DRAWN BY B. BONNETT		DATE 7/15/2008	
4 PLACE DECIMALS (.XXXX) ±		DESIGNED BY B. BONNETT		DATE 7/15/2008	
3 PLACE DECIMALS (.XXX) ± .005		APPROVED BY		DATE	
2 PLACE DECIMALS (.XX) ± .01		SHEET NUMBER 5 of 5		SCALE 1	
1 PLACE DECIMALS (.X) ±		DRAWING NUMBER PVM-07-001A			
MATERIAL: ALUMINUM SHEET		XPS-03-001A 10 WATT PV MOUNT FOR USE WITH STORM CASE IM2720			
FINISH:					
INVENTOR: PVM-07-001A.idw		NEXT ASSEMBLY		DWG. TYPE	